

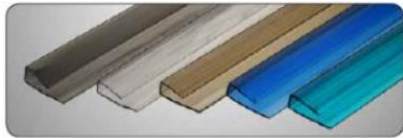
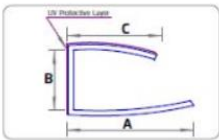


## Polycarbonate Profiles

Our interconnecting polycarbonate profiles connect consecutive multi-wall sheets to cover large areas. They are UV-resistant, unobtrusive and offer secure snap-fit connections. Polycarbonate profiles are available in 12 foot and 24 foot lengths.

### Recommended Uses

Polycarbonate profiles are suitable for basic roofing applications and interior design.



### U-Shape Edge Profiles

For trimming the sheet's upper and lower edges, polycarbonate U-Shape Edge Profiles should be used. Manufactured in clear, bronze and ice at lengths of 12 ft.

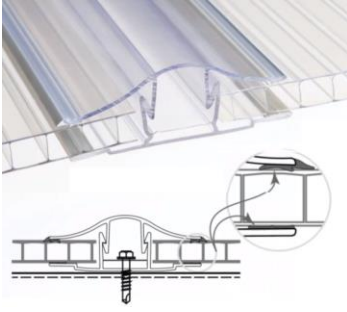
We recommend using our **vent tape** as well with these profiles.

Sheet Thickness (mm)	Profile Dimensions (mm)		
	A	B	C
6	24.5	6.4	17.5
8	24.0	8.5	18.0
10	25.0	10.6	18.0
16	20.5	16.6	16.5



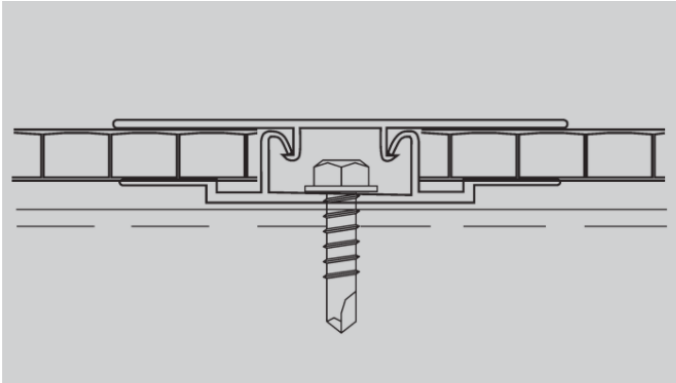
### H-Profiles

H-Profiles can also be used to connect polycarbonate multiwall sheets. Manufactured in clear, bronze and ice at lengths of 12 ft. or 24 ft., these profiles work with our 6mm, 8mm, and 10mm twin wall polycarbonate sheets.



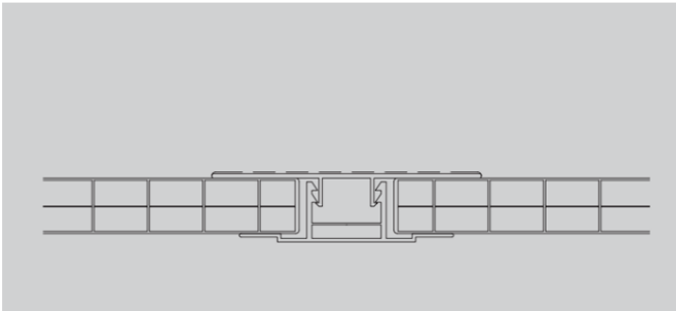
## GCP (Gasket Clip)

First and only in the market. A connection system for polycarbonate profiles with integrated co-extruded gaskets. This profile is designed to connect multiwall polycarbonate sheets with thicknesses between 6 mm to 10 mm. Provides a gasket sealed connection which is manufactured in clear, ice and bronze colors, in lengths of 12 ft. or 24 ft.



## ECP 2G (Easy Clip)

Polycarbonate connection system designed to connect multiwall polycarbonate sheets with thicknesses between 8 mm to 10 mm. Profiles can easily be connected together to form reliable joints. Manufactured in clear, bronze and ice at lengths of 12 ft. or 24 ft.



## HCP (H-Clip)

The original polycarbonate connection system designed to connect 16 mm multi-wall polycarbonate sheets. These profiles can easily be connected together to form reliable joints. Manufactured in clear, ice and bronze colors in lengths of 12 ft. or 24 ft.

**Order Polycarbonate Profiles Online:**

**<https://www.professionalplastics.com/Polycarbonate?fct1=122>**



# PROFESSIONAL PLASTICS

The Leader in Plastic Sheets, Rods, Tubing, Profiles, & Components

[www.professionalplastics.com](http://www.professionalplastics.com)

[sales@proplas.com](mailto:sales@proplas.com)

**USA (888) 995-7767 – Singapore +65 6266-6193 – 台灣 Taiwan +886 (3) 535 7850**