



PROFESSIONAL PLASTICS, INC.

Leading Global Supplier of Engineered Plastic Shapes

USA Phone (888) 995-7767 – Asia Phone +65-6266-6193

E-Mail: sales@proplas.com Website: www.professionalplastics.com

PLASTIC FABRICATING TOOLS & ACCESSORIES

To Order Online Click:

<http://www.professionalplastics.com/PlasticToolsAccessories>



Hinges



Drill Bits for Plastics



Plastic Bending Equipment



Plastic Cutting Tools & Saw Blades



Adhesives, Applicators & Tape



Buffing, Polishing & Finishing



Plastic Cleaning & Maintenance Supplies



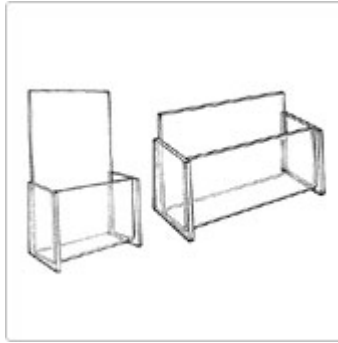
Countersinks, Hole-saws & Other Drill Bits



Router Bits for Plastics



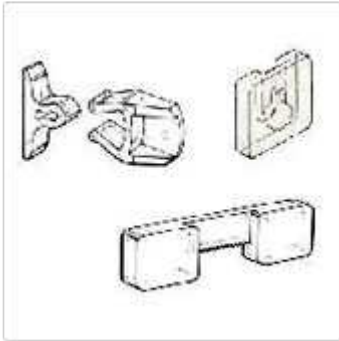
Acrylic Shapes



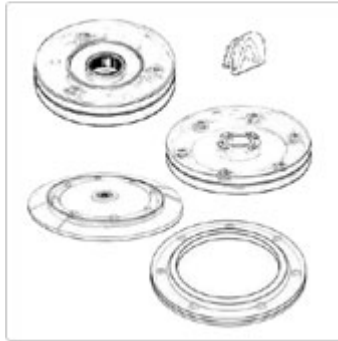
Literature Holders & Finished Products



Bumpers, Felt, & Connectors



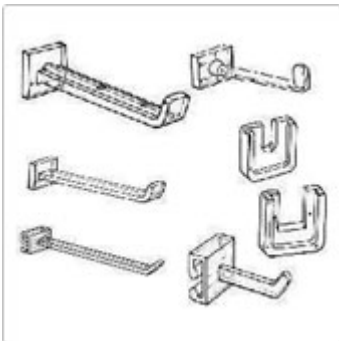
Acrylic Components



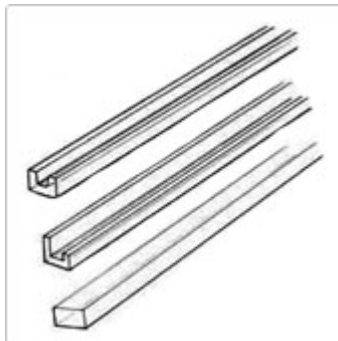
Turntables & Hardware



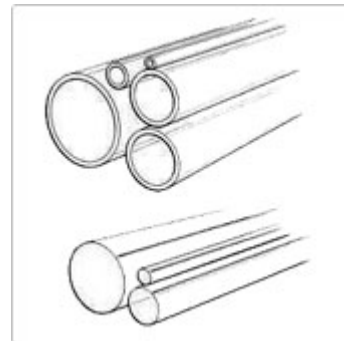
Hasps & Locks



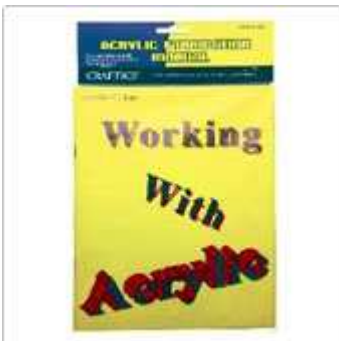
Hooks & Hook Holders



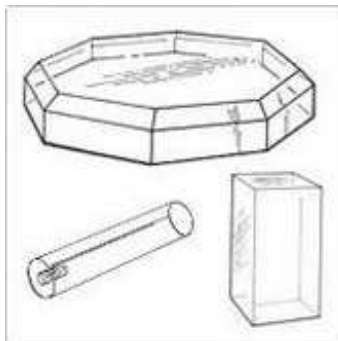
Extruded Shapes



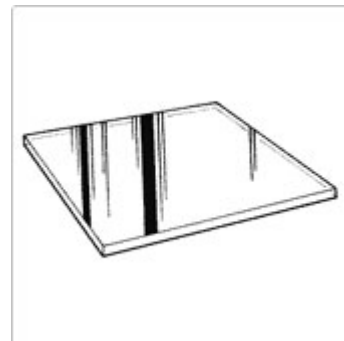
Extruded Acrylic Rods & Tubes



Books & Project Sheets



Display Bases & Display Components



Flat Plastic Sheet



Stand-off Systems



Picture Frame Hanging Systems



Flame-Polishing Torch

PRODUCT

PRODUCT PICTURE

Product #: 1106019

Craftics Buffing Kit
 Remove fine scratches and polish edges from plastic surfaces with this conveniently packaged kit. Each kit contains a 4" diameter sewn cloth buffing wheel and a 2oz stick of buffing compound. Use with Craftics Arbor adapter (not included). Instructions on back of card. Use Arbor Adapter - P/N 1106053.



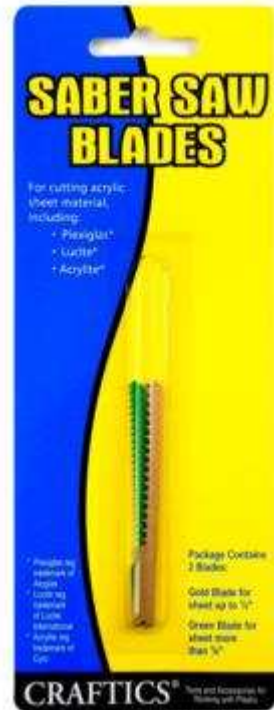
Product #: 1106020

Craftics Edge Scraper
 This unique tool has four features in one. Not only will it remove saw marks from flat edges, it also bevels thick and thin material, and will radius the edge quickly and evenly. Instructions are on the back of the card.



Product #: 1106016

Craftics Saber Saw Blades / 2 pack
Each package contains one blade (gold) for material up to 1/8" thick, and one blade (green) for thicker materials. Designed to cut acrylic, polycarbonate, and styrene so smoothly that edges can be polished. Blades are 3.75" long.



Product #: 1106087

Craftics Swivel Blade Plasticutter
Hardened steel blade scores and cuts acrylic up to 1/4" thick. Swivel blade folds away safely for storage, yet stays in place when scoring. Simply score material and break along straight line.



Product #: 1106531

Craftics Heavy Duty Plasticutter
Larger, heavier blade for easier cutting of acrylic



Product #: 1106064

Plastic Cutter Saw Blade 7.25" diam x 60 tooth x 5/8" arbor Get smooth, clean and melt-free cuts in a variety of plastics-with less chipping-by using these value-priced cutting blades. Designed for a variety of materials, you can use them for small cutting tasks up to large production runs. Their finely honed carbide teeth provide exception cutting performance, and the thin-kerf design allows faster feeding. (10" blade shown)



Product #: 1106065

Plastic Cutter Saw Blade 10" diam x 80 tooth x 5/8" arbor Get smooth, clean and melt-free cuts in a variety of plastics-with less chipping-by using these value-priced cutting blades. Designed for a variety of materials, you can use them for small cutting tasks up to large production runs. Their finely honed carbide teeth provide exception cutting performance, and the thin-kerf design allows faster feeding.



Product #: 1106066

Plastic Cutter Saw Blade 12"diam x 100 tooth x 1" arbor Get smooth, clean and melt-free cuts in a variety of plastics-with less chipping-by using these value-priced cutting blades. Designed for a variety of materials, you can use them for small cutting tasks up to large production runs. Their finely honed carbide teeth provide exception cutting performance, and the thin-kerf design allows faster feeding. (10" blade shown)



Product #: 1106067

Plastic Cutter Saw Blade 14"diam x 100 tooth x 1" arbor. Get smooth, clean and melt-free cuts in a variety of plastics-with less chipping-by using these value-priced cutting blades. Designed for a variety of materials, you can use them for small cutting tasks up to large production runs. Their finely honed carbide teeth provide exception cutting performance, and the thin-kerf design allows faster feeding. (10" blade shown)



Product #: 1106095

Professional Series Perfect-Cut Saw Blade-10" diam x 80 tooth x 5/8" arbor. For precise, professional cuts in production applications time after time, choose these superior quality, long lasting Pro Series blades. Each size features high-grade, carbide-tipped teeth that are fine-grit honed for smooth, melt-free cutting on a wide variety of stock. Expertly tensioned steel bodies reduce vibration, extending edge life. Thin kerf design lets you feed faster with less waste.



Product #: 1106096

Professional Series Perfect-Cut Saw Blade-12" diam x 100 tooth x 1" arbor. For precise, professional cuts in production applications time after time, choose these superior quality, long lasting Pro Series blades. Each size features high-grade, carbide-tipped teeth that are fine-grit honed for smooth, melt-free cutting on a wide variety of stock. Expertly tensioned steel bodies reduce vibration, extending edge life. Thin kerf design lets you feed faster with less waste.



Product #: 1106097

Professional Series Perfect-Cut Saw Blade-14" diam x 100 tooth x 1" arbor. For precise, professional cuts in production applications time after time, choose these superior quality, long lasting Pro Series blades. Each size features high-grade, carbide-tipped teeth that are fine-grit honed for smooth, melt-free cutting on a wide variety of stock. Expertly tensioned steel bodies reduce vibration, extending edge life. Thin kerf design lets you feed faster with less waste.



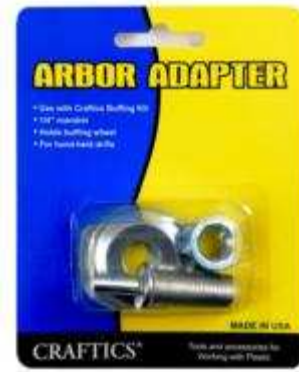
Product #: 1106022

Mask-Off, 1-quart bottle. Remove old, stubborn paper masking from acrylic and other sheet materials with this product. Quick acting, soak and peel. Ships ground freight only.



Product #: 1106053

Arbor Adaptor This 1/4" mandrel with 1/2" arbor fits any hand-held drill. Use with Craftics Buffing Kit-P/N 1106019.



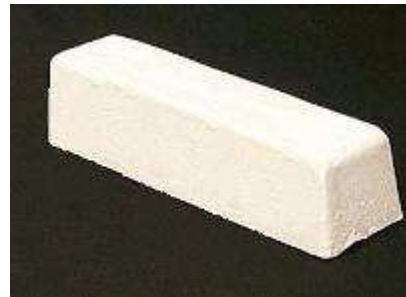
Product #: 1106755

Red Tripoli Buffing Compound Bar Recommended for use on rough edges like saw cut edges followed by the White, Blue, or Pink Rouge for Finished edges. Approx. 2lb bar.



Product #: 1106757

White Rouge Buffing Compound Bar Recommended for final polishing after Red Tripoli. Finest cut of the finishing compounds. Approx. 2lb Bar.



Product #: 1106758

Large Buffing Wheel-Loose Cotton- 6" diameter, 40 Ply, 5/8" Arbor hole.



Product #: 1106759

Large Buffing Wheel-Loose Cotton- 8" diameter, 40 Ply, 5/8" Arbor hole.



Product #: 1106756

Blue Rouge Buffing Compound Bar Recommended for finish or final buffing after using Red Tripoli. Preferred by plastic fabricators! Approx. 2lb bar.



Product #: 1106800

H2O Flame-Polishing Torch 10"h x 9"w x 6"deep. wt approx 40lbs. Make fire from water with this ideal flame-polishing tool. Proven technology generates perfect flame from distilled water. Electric current converts water to hydrogen/oxygen gas. No more pressurized tanks to refill and Very OSHA friendly. Price includes four each torch tips #18-23, adjustable hand piece, 6'hose, 1 qt each of the booster and electrolyte. 120 volt, 250 watts. *Ships Via Fed Ex Ground only*



PRODUCT

PRODUCT PICTURE

Product #: 1106801

220-Volt H2O Flame-Polishing Torch Same great torch wired for 220/240 volts. *Special Order item. Generally does not include booster or electrolyte if shipping outside Contiguous US States. Please contact our office for more information.



Product #: 1106768

Jewelers Red Rouge approx. 2lb bar. Thicker and moister than the Red Tripoli. Often used by jewelry makers, but good for plastics too.



Product #: 1106767

Pink Rouge Compound Bar Use for Ultra Clear finish on acrylics, after Red Tripoli and often instead of Blue or White. Most Dry of the finishing compounds, there is less Rouge to clean from your display. Approx. 2 lb Bar.



Product #: 1106146

Large Buffing Wheel- Sewn cotton, 4" diameter x 5/8" hole. Use these buff wheels with the buffing compound for the perfect finish.



Product #: 1106763

Large Buffing Wheel-Loose Cotton-10"diameter, 40ply, 1" arbor hole.



Product #: 10300

IPS Weld-On #3 Clear 1 pint(16oz) Water-thin, very fast set, shelf life: 3yrs. Non-flammable solvent cement for bonding acrylics. Also bonds other plastics such as styrene, butyrate, and polycarbonate to themselves. Safe for water applications.



Product #: 10799

IPS Weld-On #3 Clear 4 oz. Water-thin, very fast-set, shelf life: 3yrs. Non-flammable solvent cement for bonding acrylics. Also bonds styrene, butyrate, PETG and polycarbonates to themselves. Safe for water applications.



Product #: 1106002

Craftics Clear Acrylic Solvent Cement / 2-oz Bottle Water-thin, fast-set, Shelf Life: 2yrs. For joining acrylic, styrene, butyrate, and polycarbonate and other plastics to themselves. Apply by capillary method using Craftics Plasticators and Syringes.



Product #: 1106010

Craftics Acrylic Solvent Cement / 8-oz Bottle Water-thin, fast-set, Shelf Life: 2yrs. For joining acrylic, styrene, butyrate, and polycarbonate and other plastics to themselves. Apply by capillary method using Craftics Plasticators and Syringes.



Product #: 1106012

Craftics Acrylic Solvent Cement / 16-oz Bottle Water-thin, fast-set, shelf life: 2yrs. For joining acrylic, styrene, butyrate, and polycarbonate and other plastics to themselves. Apply by capillary method using Craftics Plasticators and Syringes.



Product #: 1106031

Craftics Thickened Cement #33, 1.5-oz tube. Fast-setting high-strength, medium-bodied solvent cement. Bonds acrylics, Rigid PVC, styrene, butyrate, and polycarbonate to themselves and each other. As well as other plastics and porous surfaces. Fills small gaps and dries clear. Safe for water applications. Tube includes an applicator tip. Additional tips available upon request.



Product #: 1106061

E6000 Adhesive 3.7oz Tube For permanent mounting of most materials to acrylic, this clear adhesive with the consistency of thick syrup, provides a very strong bond. Excellent for mounting objects to be displayed on acrylic such as trophies. Dries clear, Overnight. Not UV Resistant, however, it is OK to paint over for outdoor applications. Shelf Life 1 year.



Product #: 10448

IPS Weld-On #2007 for PVC (Fast set-Clear)16oz Bonds rigid and foam PVC to itself and each other in just a few minutes. Not for joining dissimilar materials. 1 min work time, 3 min. fixture time. 3 year shelf life.



Product #: 11138

IPS Weld-On # 4052- Multi Purpose (Fast Set- Clear) 16oz. This medium-bodied, fast-setting solvent cement bonds acrylic, PVC, foamed PVC, ABS, Styrene, polycarbonate, and other plastics to themselves and each other. Its amber color turns clear as it sets (in just minutes). 15 min. work time, 20 min. fixture time. 3 year shelf life.



Product #: 12754

IPS #3 Clear Acrylic / 1 quart
Non-flammable, water-thin, very fast set solvent cement for acrylics. Will also bond other plastics such as styrene, butyrate, and polycarbonate to themselves.



PRODUCT

PRODUCT PICTURE

Product #: 811330

IPS Weld-On #40 2-part Clear 1 pint (16oz) 2-Part, high-reactive, high-strength solvent cement for bonding all acrylics to each other and to polyester, butyrate, PVC, ABS, PETG, Etc. Safe for water applications. Provides clear joints. Good weatherability. Working time: Approx. 3 minutes Meets Mil Spec A-8576C Type III. Each "kit" contains 2 bottles and 2 mixing sticks.



Product #: 811350

IPS Weld-On #40 2-Part Clear 4-oz. Medium Syrup, fast-set, Shelf Life 1 yr. 2-part, high-reactive, high-strength solvent cement for bonding all acrylics to each other and to polyester, butyrate, PVC, ABS, PETG, Etc. Safe for water applications. Provides clear joints. Good weatherability. Working time: Approximately 3 minutes. Meets Mil Spec A-8576C Type III. Each "kit" contains 2 bottles and 2 mixing sticks.



Product #: 830232

IPS Weld-On #2354 ABS Clear 1 pint (16oz). Thin syrup, fast-set, shelf life: 3yrs. This solvent cement is for bonding ABS, styrene, acrylics, and polycarbonates to themselves only. Not for joining dissimilar materials. Approximately 3 minute working time.



Product #: 10182

IPS Multi-Purpose Weld-on #10 Kit (2 part-white)4oz.
Recommended for a variety of joining applications, this white, 2 component reactive cement creates high-strength bonds on a variety of plastics, including acrylic, ABS, polycarbonate, and PVC. It also bonds plastics to steel, aluminum, concrete and other surfaces. 25 min work time, 60 min fixture time. 1 year shelf life.



Product #: 10181

IPS Multi-Purpose Weld-on #10 Kit (2 part-white)16oz.
Recommended for a variety of joining applications, this white, 2 component reactive cement creates high-strength bonds on a variety of plastics, including acrylic, ABS, polycarbonate, and PVC. It also bonds plastics to steel, aluminum, concrete and other surfaces. 25 min work time, 60 min fixture time. 1 year shelf life.



Product #: 1106033

IPS #16 Thickened Cement 5 oz (Non-packaged) A fast-drying, high-strength cement works well with a variety of materials and is exceptional at filling gaps. The medium-bodied formula bonds acrylic, rigid PVC, ABS, styrene, butyrate and polycarbonate to themselves and each other (as well as other plastics and porous surfaces). 2-minute work time, 5-minute fixture time. 2-year shelf life.



PROFESSIONAL PLASTICS, INC.
Leading Global Supplier of Engineered Plastic Shapes

USA Phone (888) 995-7767 – Asia Phone +65-6266-6193

E-Mail: sales@proplas.com Website: www.professionalplastics.com