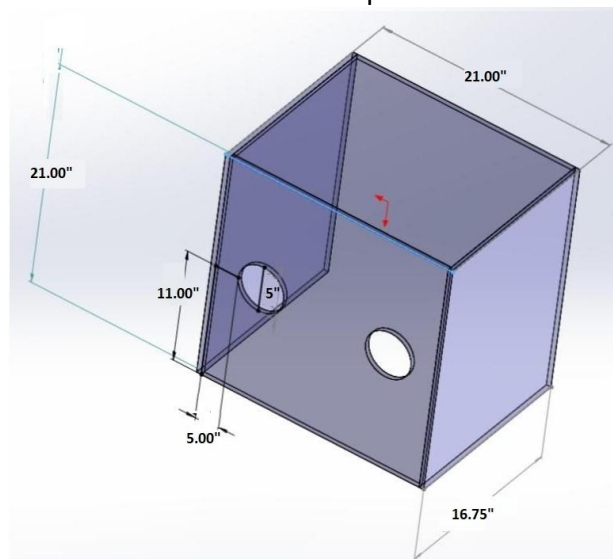




## Intubation Boxes for COVID-19 Droplet & Aerosol Protection

Intubation Boxes allow for blocking of airborne droplet and aerosol virus transmission allowing doctors to safely access to patient airways during intubation. Each box is designed with two arm holes for unrestricted arm movement during the tracheal intubation process of COVID-19 patients. These plexiglass acrylic intubation boxes protect doctors and nurses from exposure to airborne droplets and aerosols. Intubation boxes provide maximum protection of healthcare workers and hospital staff during orotracheal intubation and tracheostomy procedures. These protective medical boxes are also known as aerosol blocking shields. After each intubation, the box can be cleaned thoroughly with 70% alcohol or bleach. It can then be reused for the next patient.



**Order Online:** <https://www.professionalplastics.com/Intubation-Boxes-COVID-Hospital>

[www.professionalplastics.com](http://www.professionalplastics.com)

[sales@proplas.com](mailto:sales@proplas.com)

**USA (888) 995-7767 – Singapore +65 6266-6193 – 台灣 Taiwan +886 (3) 5357850**