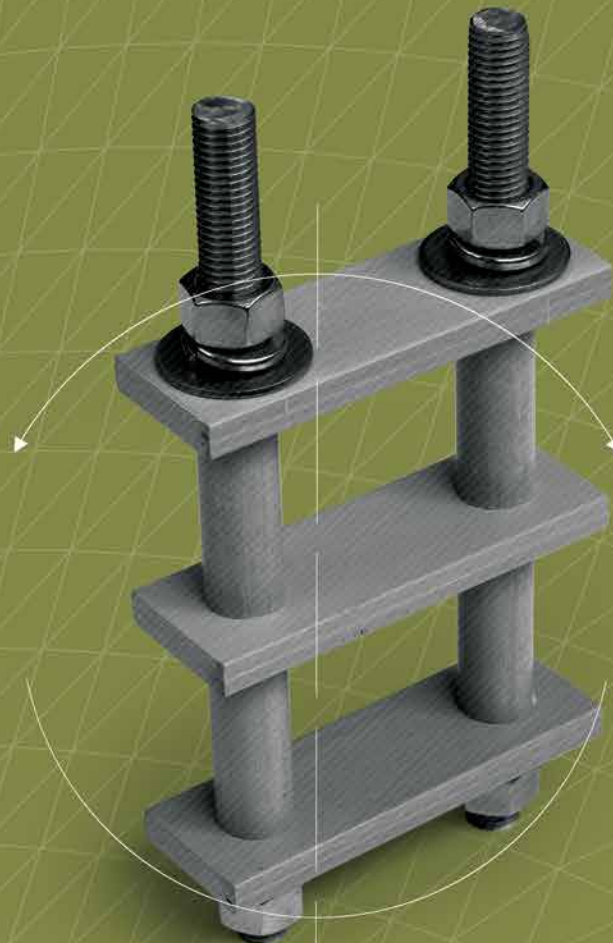




Do More.®



# CHAMPION HANGERS®

MADE IN THE U.S.A.

ISO 9001:2008 CERTIFIED

Champion Fiberglass, Inc. is the leading manufacturer of fiberglass conduit, strut and bridge hangers for the electrical and mechanical markets. Our headquarters and manufacturing are located in Spring, Texas.

Champion Fiberglass, began production of epoxy fiberglass conduit and fittings in 1988. The company has the most advanced production facilities for manufacturing fiberglass conduit in North America. A well-trained and highly efficient work force utilize proprietary processes along with high-speed winding equipment and high temperature curing ovens to ensure consistent quality in their production standards.

In 1989, Champion Fiberglass, developed the first conduit from epoxy resins that had flame resistance and low smoke characteristics, meeting the most stringent codes and specifications. Today this conduit system has been integrated into the **CHAMPION DUCT**<sup>®</sup> system and is **UL** and **CSA listed** for both below and above ground use.

In that same year, Champion Fiberglass also began to manufacture their own brand of hangers, called **CHAMPION HANGERS**<sup>®</sup>. All of the horizontal components are made of fiberglass and the threaded rods of steel are sleeved with fiberglass tubing. This provides optimal performance when supporting fiberglass and PVC conduit.

Another milestone evolved in 2006 when Champion Fiberglass completed development of a Phenolic Conduit System, **FLAME SHIELD**<sup>®</sup>. It is now the number one choice conduit for subways, including tunnels and stations. **FLAME SHIELD** conforms to **NFPA 130** requirements, including the 2010 edition.

In 2008, **CHAMPION HAZ DUCT**<sup>®</sup> (XW Type fiberglass conduit) was allowed for use in **Class I Div 2** installations, per the **National Electrical Code** (NEC). This was accomplished by Champion Fiberglass after having worked with UL and NEC on this issue for many years.

Champion Fiberglass is a **ISO 9001:2008 Certified Company**. We offer our customers innovative solutions with the highest quality products and customer service available in our industry.



# CONTENTS

---

**Installation & Supports** .....4

**Introduction to Champion Hangers** .....5

**Intermediate Hangers - Standard & Alternate Configurations**...6

**Anchor Hangers**.....7

**Specifications for Fiberglass Hangers** .....8

**Steel Hardware Specifications**..... 9-10

**Engineering / Deflection Graphs**..... 11-14

**Champion Bridge Hangers / Intermediate Type Tables**..... 15-21

**Limited Warranty**..... 22

# CHAMPION HANGERS®



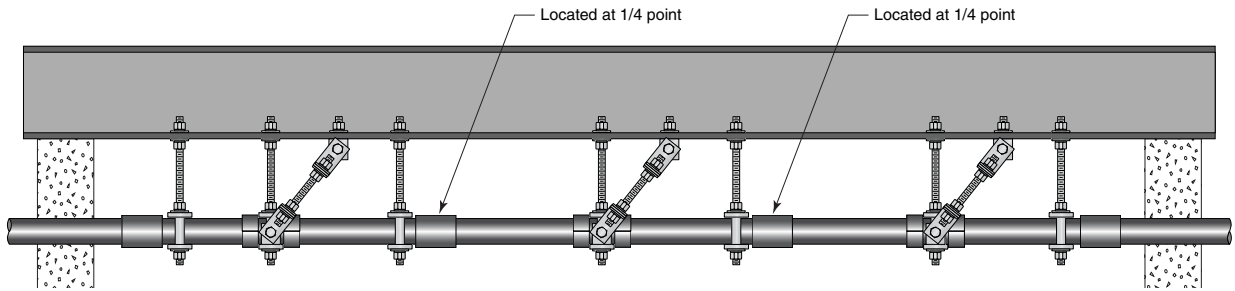


## LOCATION OF SUPPORTS

The actual location of supports are determined by two factors:

1. What the National Electrical Code (NEC) allows.
2. If not guided by NEC, see the Deflection Graphs in this catalog for determination of support distances. All of the graphs are shown for five (5) different mid-span locations. After determining the total weight of the cable, the support span distance is determined based on maximum allowable mid-span deflection. A rule of thumb is that the mid-span deflection should not exceed  $\frac{5}{8}$ " **(16mm)**.

If PVC conduit or any other material is used, please consult NEC and the manufacturers guidelines.



## INSTALLATION OF EXPANSION JOINTS

If the fiberglass conduit is subject to expansion and contraction due to changes in the ambient temperature, Champion Fiberglass, Inc. suggests the following guidelines for installing expansion joints:

- **Conduit Length Less Than 50 ft. (15 m) No Expansion Joint Needed.**
- **If conduit length is between 50 ft. (15 m) up to 200 ft. (61 m), install one expansion joint mid-way.**
- **If conduit length is over 200 ft. (61 m), install one expansion joint every 200 ft. (61 m) apart.**  
When commencing, install the first expansion joint 100 ft. (30 m) maximum from each abutment, and then space the expansion joints equally every 200 ft. (61 m) maximum).

Expansion joints should preferably be placed at  $\frac{3}{4}$  point away from any hanger. This is the point where the load is at minimum and will therefore allow for smooth operation. (See Illustration above)

NEC 2011, Article 355.44 Table of Expansion Characteristics for Reinforced Thermosetting Resin Conduit (RTRC)  
Coefficient of Thermal Expansion =  $1.5 \times 10^{-5}$  in/in/°F ( $2.7 \times 10^{-5}$  mm/mm/°C)

Temperature Change (°F)	Length Change of RTRC Conduit (in/100 ft)	Temperature Change (°F)	Length Change of RTRC Conduit (in/100 ft)
5	0.09	105	1.89
10	0.18	110	1.98
15	0.27	115	2.07
20	0.36	120	2.16
25	0.45	125	2.25
30	0.54	130	2.34
35	0.63	135	2.43
40	0.72	140	2.52
45	0.81	145	2.61
50	0.90	150	2.70
55	0.99	155	2.79
60	1.08	160	2.88
65	1.17	165	2.97
70	1.26	170	3.06
75	1.35	175	3.15
80	1.44	180	3.24
85	1.53	185	3.33
90	1.62	190	3.42
95	1.71	195	3.51
100	1.80	200	3.60

Temperature Change (°C)	Length Change of RTRC Conduit (mm/m)
5	0.14
10	0.27
15	0.41
20	0.54
25	0.68
30	0.81
35	0.95
40	1.08
45	1.22
50	1.35
55	1.49
60	1.62
65	1.76
70	1.89
75	2.03
80	2.16
85	2.30
90	2.43
95	2.57
100	2.70

# CHAMPION HANGERS

Champion Hangers are offered in two main types and per your project specifications:

- **Intermediate Hanger**, the most widely used type
- **Anchor Hanger**, an intermediate hanger with side bracing

**Note: Steel hangers shall never be used in combination with fiberglass conduit.**


Champion Fiberglass offers an order process for submitting your bridge hanger project specifications. You can calculate basic hanger dimensions for various diameters of conduit and various configurations up to 6 High x 6 Wide.

These easy to use, Intermediate and Anchor Hanger PDF quotation forms, can be downloaded from our web site: [www.championfiberglass.com/bridge\\_hangers.html](http://www.championfiberglass.com/bridge_hangers.html). We can also go through the order process with you directly. Contact your Champion Sales Representative to schedule assistance with our experienced inside sales staff.

## INTERMEDIATE HANGER

This is the most widely used type of hanger for support under bridges. It is a trapeze hanging system, using threaded rods that are attached to the bridge. The horizontal components are fiberglass flatbars, 2" wide x 1/2" (52 mm x 13 mm) thick, and the threaded rods are sleeved over using 1" (25 mm) fiberglass pultruded pipe, in order not to abrade the conduit.

An example of a 2 High x 3 Wide - Flat Bar / Round Tube, Intermediate Bridge Hanger order form is shown below.



**CHAMPION**  
FIBERGLASS

**Quality Fiberglass Products for the Electrical Industry**

---

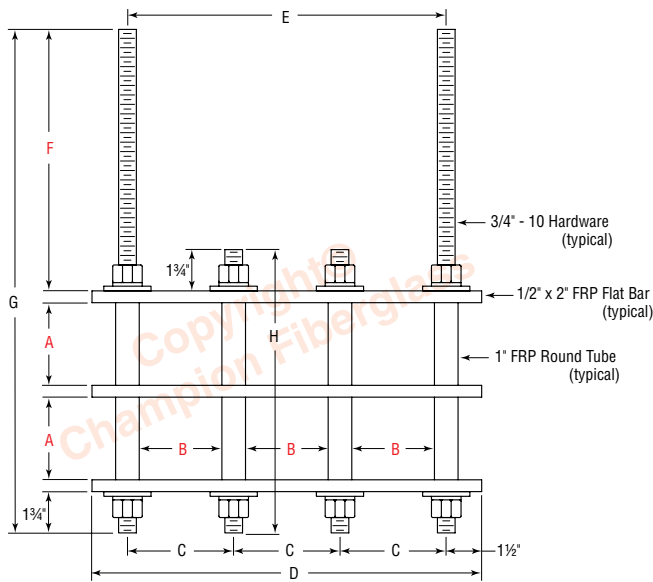
**Customer Information:**

Project Name: \_\_\_\_\_ Contact Name: \_\_\_\_\_

Company: \_\_\_\_\_  Distributor  Contractor  Engineer  Other: \_\_\_\_\_

Phone: \_\_\_\_\_ Fax: \_\_\_\_\_ Email: \_\_\_\_\_

**Intermediate Bridge Hanger**  
2 High x 3 Wide



Show A & B Dimension Guide

Quantity:	
A	
B	
C	
D	
E	
F	12.000 *See note below
G	
H	
<input type="radio"/> Hot Dipped Galvanized Steel <input type="radio"/> Stainless Steel 304 <input type="radio"/> Stainless Steel 316 Other: _____	

\*The "F" dimension will default to a value of 12" unless you change it manually.

Customer Confirmation:  Yes  No    Date: \_\_\_\_\_    Signature: \_\_\_\_\_

Send Form

Clear Form

281-655-8900  
281-257-2523 Fax

info@championfiberglass.com  
[www.championfiberglass.com](http://www.championfiberglass.com)

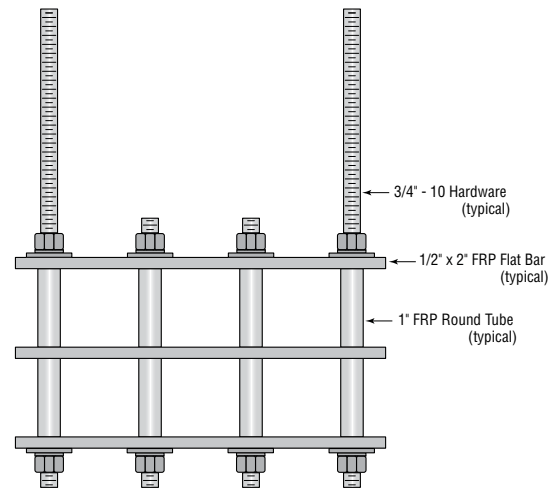
6400 Spring Stuebner Rd.  
Spring, Texas 77389

IBH 09-7

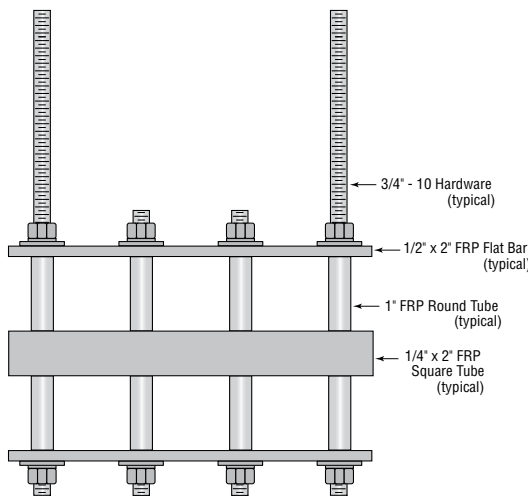
## INTERMEDIATE HANGER - STANDARD & ALTERNATE CONFIGURATIONS

Champion Fiberglass Hangers are offered in standard and alternate configurations. All of the components that can come in contact with the fiberglass conduit are made from fiberglass. Standard and alternate components used for a Champion Hanger include combinations of the following:

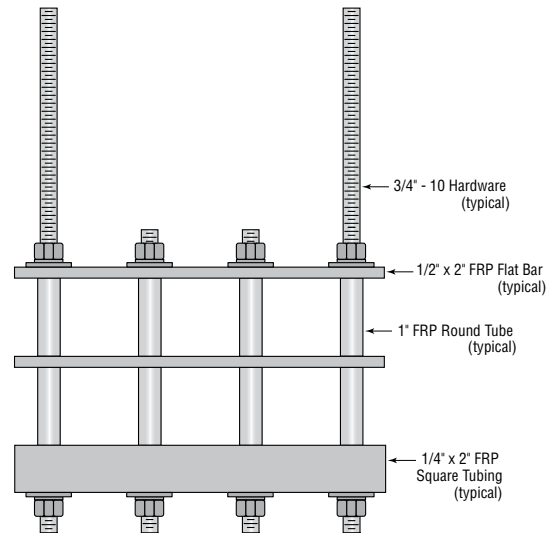
- ½" Thick x 2" wide fiberglass flatbar (horizontal crossmember). *An alternate: the flatbar is substituted for 2" x 2" x ¼" fiberglass square tubing for increased strength.*
- ¾" Hot dipped galvanized threaded rod (for trapeze hanging) with necessary hardware. *An alternate: stainless steel threaded rod is used instead, where chlorine (incl. salt) may be present.*
- 1" fiberglass tubing, sleeved on the outside of the threaded rod



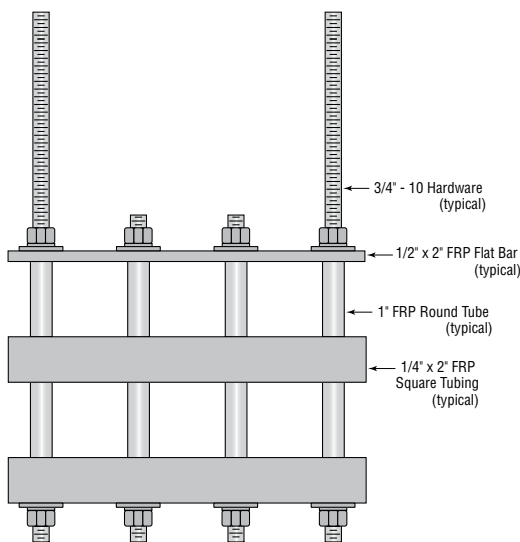
**STANDARD INTERMEDIATE HANGER**



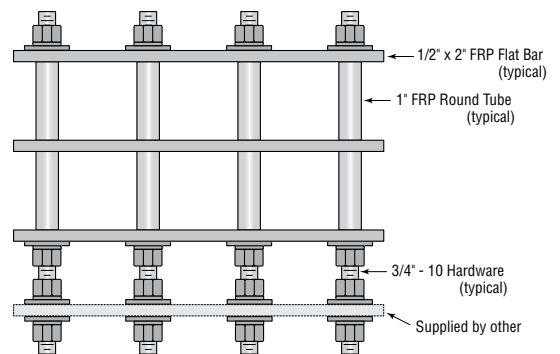
**INTERMEDIATE HANGER /  
FLAT BAR-SQUARE TUBING-FLAT**



**INTERMEDIATE HANGER /  
FLAT BAR-SQUARE TUBE BOTTOM**



**INTERMEDIATE HANGER /  
FLAT BAR-SQUARE TUBING**



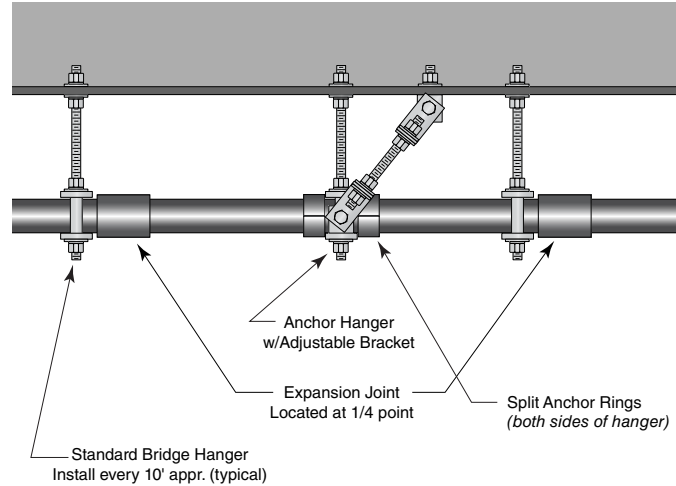
**BASE MOUNT HANGER**

## ANCHOR HANGERS

Whenever split anchor rings are used around a hanger, this hanger needs to be braced and is often referred to as an anchor hanger. It has the same construction as an intermediate hanger, except that the bottom horizontal crossmember is 1.5" (51 mm) longer on each side.

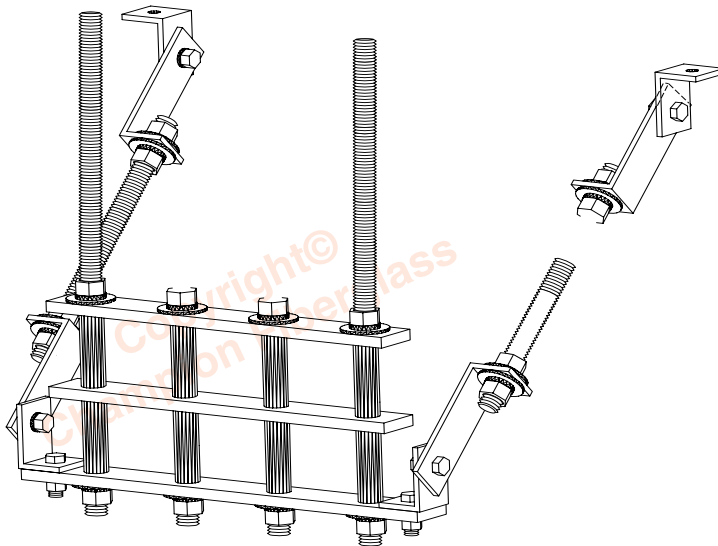
From this extended crossmember, bracing members are attached. The bracing can be an adjustable brace using threaded rods or a fixed brace using angle iron.

In some instances, hangers are not supported from the bridge, but instead "standing" on top of I-beams. For such instances, the support rods are shorter and instead extended downwards for attachment to an I-beam.



The form below shows an example of a 2 High x 3 Wide - Flat Bar / Round Tube, Champion Anchor Hanger.

This and other easy to use, Anchor Hanger PDF quotation forms, can be downloaded from our web site. [www.championfiberglass.com/bridge\\_hangers.html](http://www.championfiberglass.com/bridge_hangers.html)



## SPECIFICATIONS FOR FIBERGLASS HANGERS

This specification details the requirements for hangers (suspension supports) used to support fiberglass conduit from bridge structures.

The hangers shall be shipped fully assembled with all necessary components. All nuts shall be tightened to “snug fit”.

The fiberglass components shall be manufactured using isophthalic polyester resin and contain UV inhibitors. They shall contain a fire retardant and exhibit low smoke generation. The fiberglass components shall be gray in color and shall meet or exceed the following.

### FIBERGLASS SQUARE TUBE, FLAT BAR AND ROUND SPACER TUBE

Mechanical Properties	ASTM	English		Metric	
		Value	Units	Value	Units
Tensile Strength	D638	30,000	psi	206.8	MPa
Tensile Modulus	D638	2.5 x 10 <sup>6</sup>	psi	17.2	GPa
Compressive Strength	D695	30,000	psi	206.8	MPa
Compressive Modulus	D695	2.5 x 10 <sup>6</sup>	psi	17.2	GPa
Flexural Strength	D790	30,000	psi	206.8	MPa
Flexural Modulus	D790	1.8 x 10 <sup>6</sup>	psi	12.4	GPa
Modulus of Elasticity		2.8 x 10 <sup>6</sup>	psi	19.3	GPa
Shear Modulus		0.45 x 10 <sup>6</sup>	psi	3.1	GPa
Short Beam Shear	D2344	4,500	psi	31.0	MPa
Punch Shear	D256	10,000	psi	68.9	MPa
Impact Strength	D256	25	ft-lbs/in	1.33	J/mm

Physical Properties	ASTM	English		Metric	
		Value	Units	Value	Units
Barcol Hardness	D2583	45			
24 Hour Water Absorption	D570	0.45%	max		
Density	D792	.062-.070	lbs/in <sup>3</sup>	1.72-1.94	g/cc
Coefficient of Thermal Expansion	D696	4.4	10 <sup>-6</sup> in/in/°F	8	10 <sup>-6</sup> cm/cm/°C

Electrical Properties	ASTM	English		Metric	
		Value	Units	Value	Units
Arc Resistance	D495	120	seconds		
Dielectric Strength	D149	35	kv/in	1.37	kv/mm

Flammability Properties	ASTM	English	
		Value	Units
Tunnel Test	E84	25	max
Flammability	D635	Nonburning	
UL	94	V0	
Smoke Chamber	E662	600-700	

Hangers are designed and fabricated in such manner as to eliminate the possibility of crushing the square tube by tightening the nuts on the suspension or intermediate rods (the spacer tube shall rest on the bottom part of the square tube).

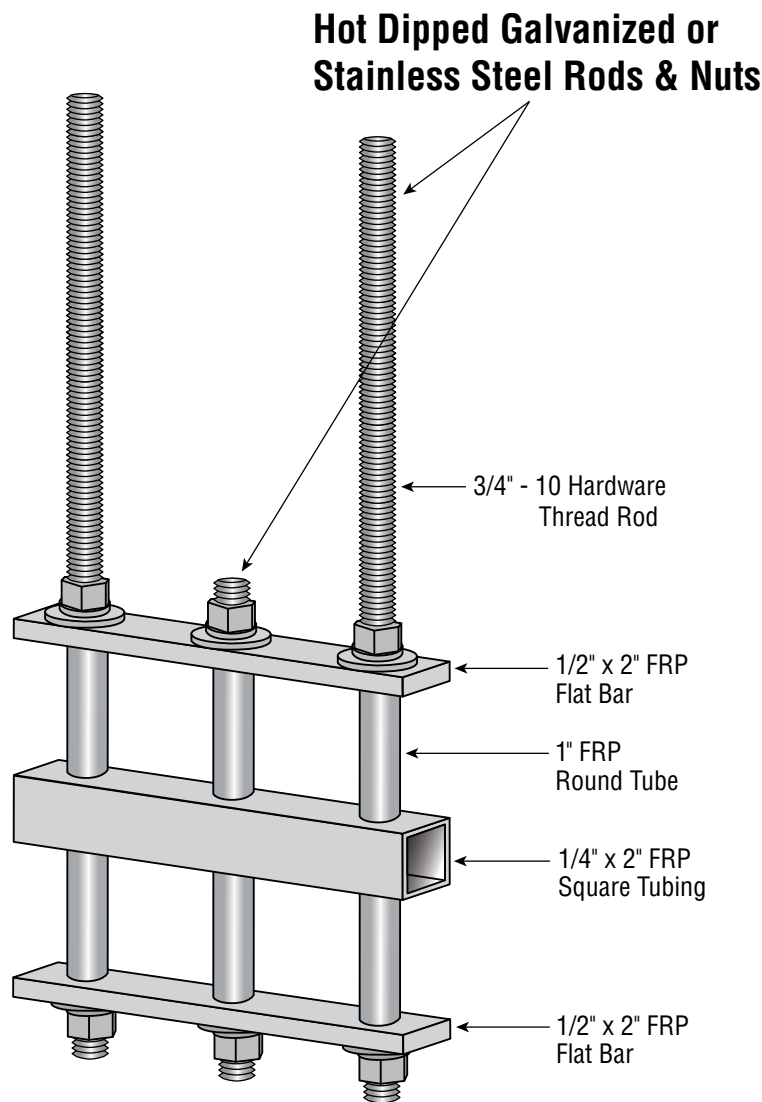


## STEEL HARDWARE SPECIFICATIONS

The support rods, intermediate rods, and all metallic hardware will be manufactured as **Hot Dipped Galvanized Steel, 304 Stainless Steel** or **316 Stainless Steel**. These hanger components are assembled based on the specified application requirements.

Complete components of a bridge hanger may include the following:

- 2" x 1/2" **(50.8mm x 12.7mm)** Fiberglass flat bar, all holes on centerline, holes for support rods, 1" **(25mm)** from each end of plate. Length as required.
- 2" x 2" x 1/4" **(50.8mm x 50.8mm x 6.4mm)** Fiberglass square tubing, all holes on centerline, holes for support rods, 1" **(25mm)** from each end of square tube. Length as required.
- 1" OD x 0.755" ID **(25.4mm OD x 19.2mm ID)** Fiberglass spacer tube. Length as required.
- 3/4" **(19mm)** All thread rod with 2 nuts, 2 lock washers and 2 flat washers. Length as required.



## HOT DIPPED GALVANIZED HARDWARE

The support rods, intermediate rods, and all metallic hardware shall be hot dipped galvanized steel and shall meet or exceed the following:

- Threaded Rod ASTM A307 with ASTM 153 Galvanizing Tensile Strength 74,000 psi
- Hex nut ASTM A307 with ASTM 153 Galvanizing
- Flat washer ASTM A307 with ASTM 153 Galvanizing
- Lock washer ASTM A307 with ASTM 153 Galvanizing

Metal components that are custom fabricated shall have a hot dipped galvanizing applied in accordance with ASTM specification a-123/123m2 dated 2002 with a minimum coating thickness of 2.0 oz/sq ft. The zinc used in this process shall be a high grade zinc conforming to ASTM B6-00 with less than .03% lead used in this process.

## 304 STAINLESS STEEL HARDWARE

The support rods, intermediate rods, and all metallic hardware shall be stainless steel and shall meet or exceed the following:

- Threaded Rod SS304 ASTM A193 grade B8
- Hex nut ASTM SS304 A194 grade 8
- Flat washer SS18-8
- Lock washer SS18-8

Metal components that are custom fabricated shall be stainless steel 304 in accordance with ASTM specification A193/A193M-94b dated 1994.

## 316 STAINLESS STEEL HARDWARE

The support rods, intermediate rods, and all metallic hardware shall be stainless steel and shall meet or exceed the following:

- Threaded Rod SS316 ASTM A193 grade B8M
- Hex nut ASTM SS316 A194 grade 8M
- Flat washer SS18-8
- Lock washer SS18-8

Metal components that are custom fabricated shall be stainless steel 316 in accordance with ASTM specification A193/A193M-94b dated 1994.

*Note: A completed bridge hanger also include components referenced at the beginning of this section.\**

## DEFLECTION

Deflection is always determined at midspan.

The empirical formula for deflection is:

$$D = \frac{131 \cdot W \cdot L^4}{E(OD^4 - ID^4)}$$

Where: D = Midspan deflection (in.)

OD = Outside diameter of conduit (in.)

ID = Inside diameter of conduit (in.)

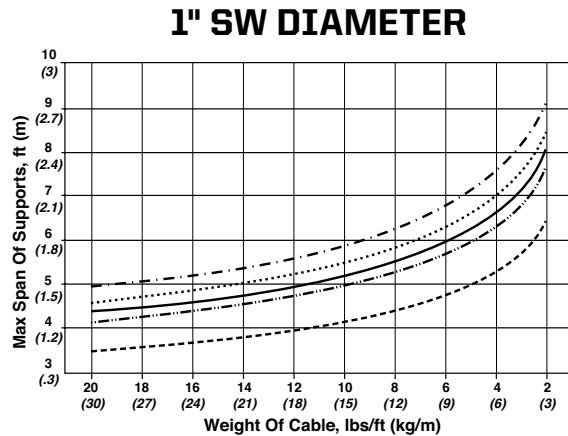
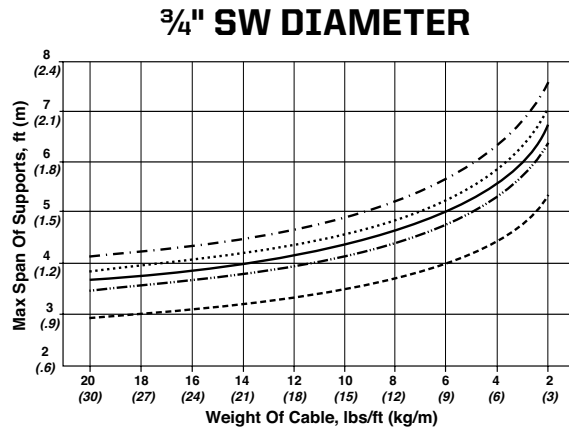
E = Modulus of elasticity of conduit (psi), which is 1,400,000 for epoxy fiberglass conduit

L = Distance between hangers (ft.)

W = Total weight of cable and conduit (lbs/ft.)

**It is recommended that midspan deflection never exceeds 5/8 inches (16 mm).**

Below are easy graphs for determining support distance between hangers for various diameters and wall thicknesses of conduit.



--- 1/4" (6) Deflection

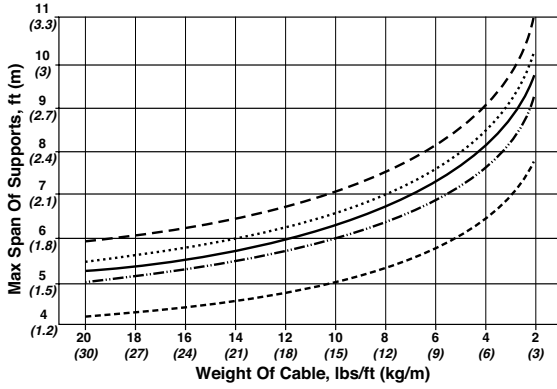
..... 1/2" (13) Deflection

———— 5/8" (16) Deflection

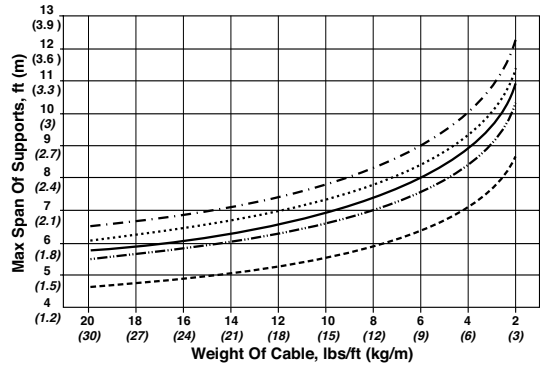
..... 3/4" (19) Deflection

----- 1" (25) Deflection

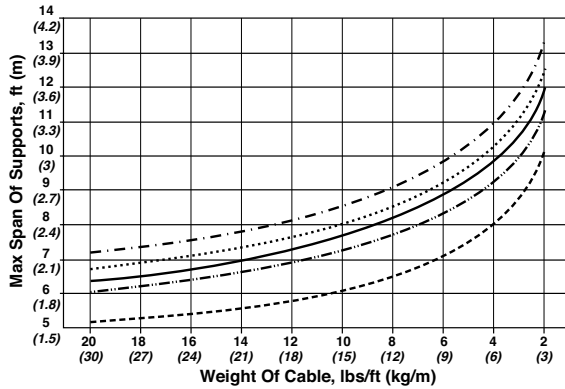
### 1 1/4" SW DIAMETER



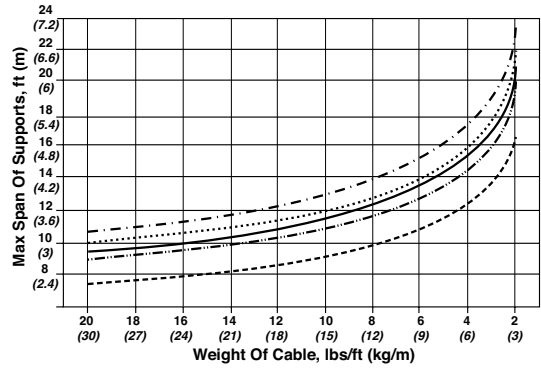
### 1 1/2" SW DIAMETER



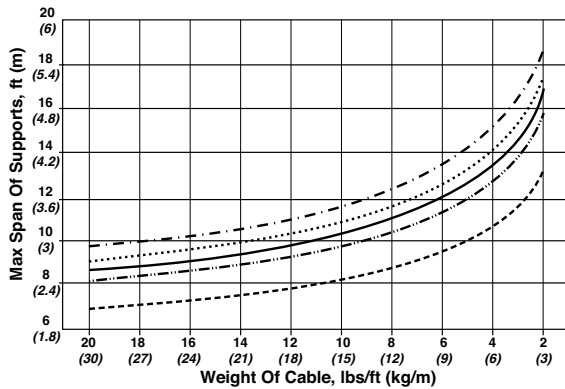
### 2" SW DIAMETER



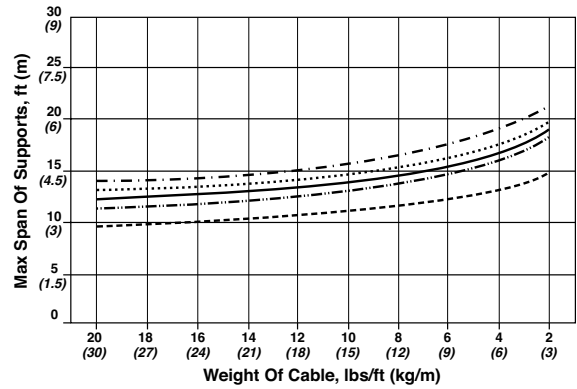
### 2" XW DIAMETER



### 3" SW DIAMETER



### 3" XW DIAMETER



1/4" (6) Deflection

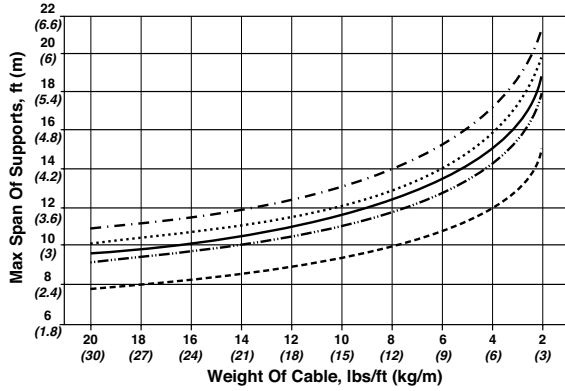
1/2" (13) Deflection

5/8" (16) Deflection

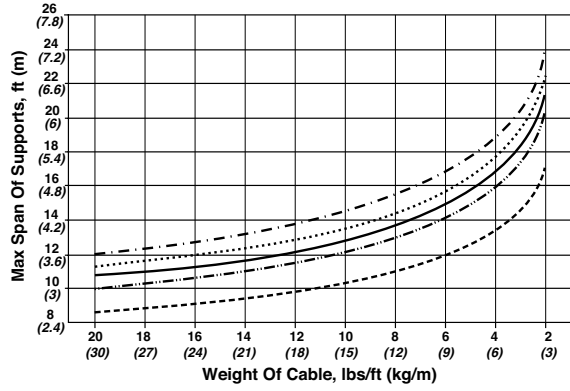
3/4" (19) Deflection

1" (25) Deflection

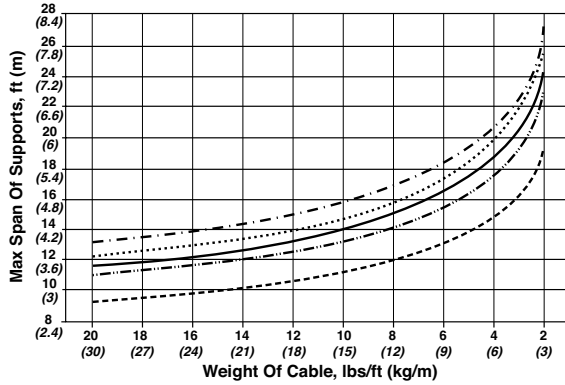
### 3½" SW DIAMETER



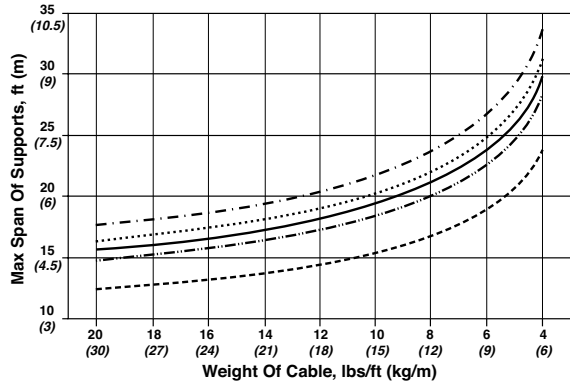
### 4" SW DIAMETER



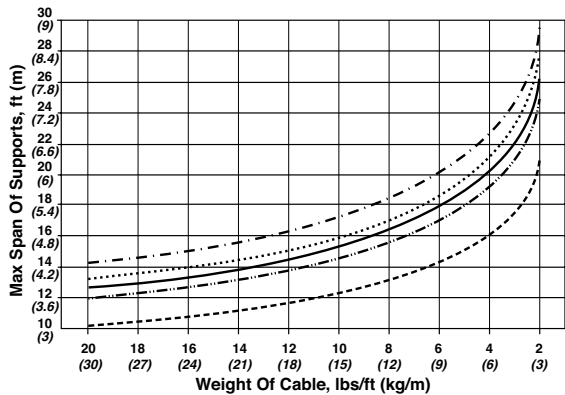
### 4" HW DIAMETER



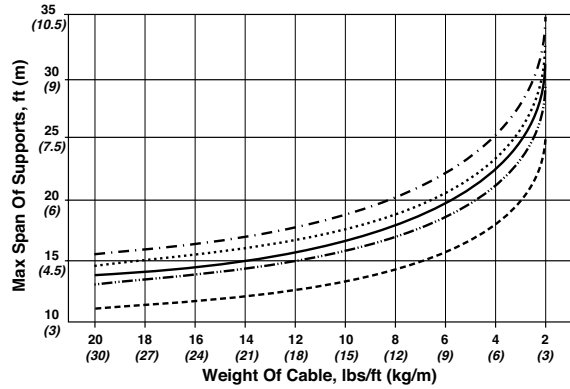
### 4" XW DIAMETER



### 5" SW DIAMETER



### 5" MW DIAMETER



¼" (6) Deflection

½" (13) Deflection

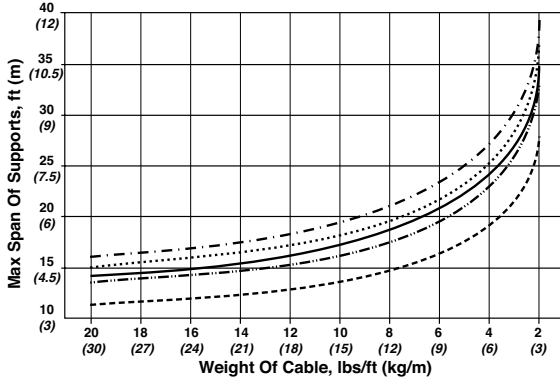
¾" (16) Deflection

¾" (19) Deflection

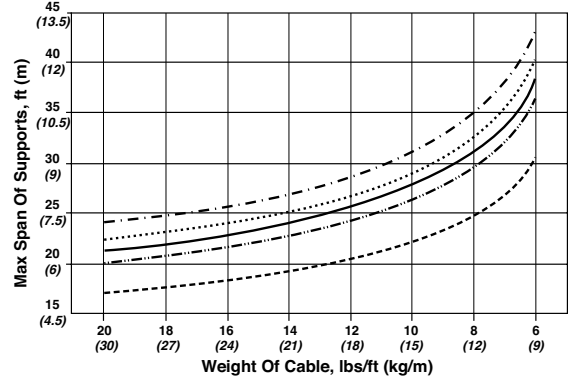
1" (25) Deflection



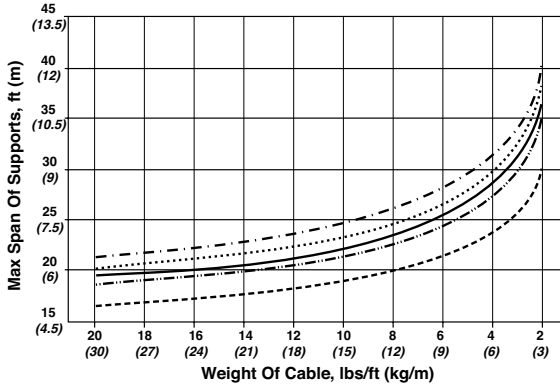
### 5" HW DIAMETER



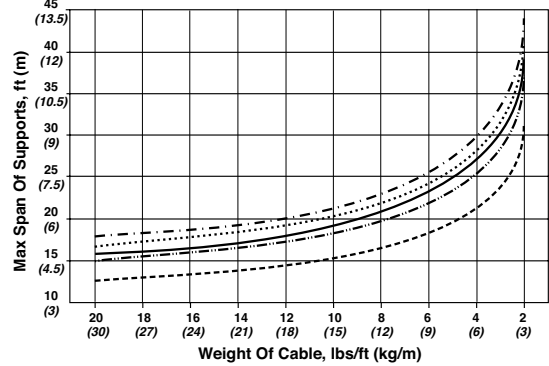
### 5" XW DIAMETER



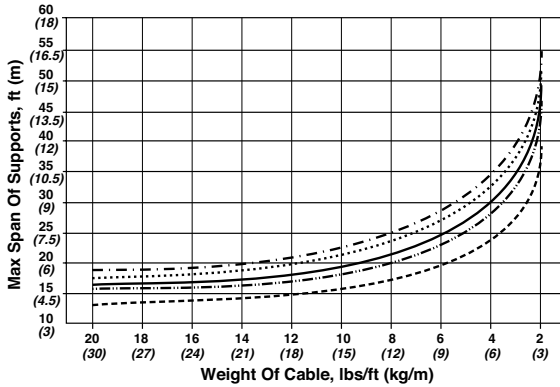
### 6" SW DIAMETER



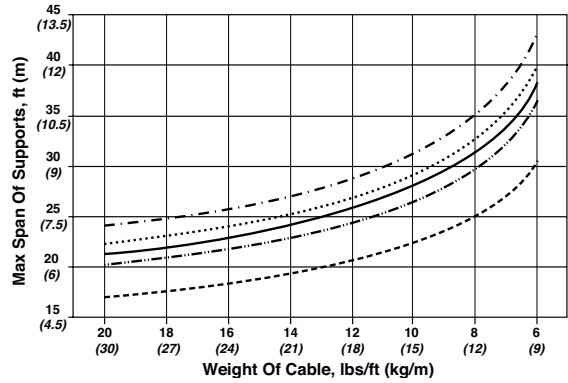
### 6" MW DIAMETER



### 6" HW DIAMETER



### 6" XW DIAMETER



1/4" (6) Deflection

1/2" (13) Deflection

5/8" (16) Deflection

3/4" (19) Deflection

1" (25) Deflection

## BRIDGE HANGERS, 2" ID, SW FIBERGLASS CONDUIT

Intermediate Type (Note: Detailed drawings & dimensional layouts are available to download from our web site.)

	Part	Number of Ducts Wide											
		1		2		3		4		5		6	
		No. Req'd	Length inch (mm)	No. Req'd	Length inch (mm)	No. Req'd	Length inch (mm)	No. Req'd	Length inch (mm)	No. Req'd	Length inch (mm)	No. Req'd	Length inch (mm)
1	A	2	6.50 (165)	2	10.00 (254)	2	13.50 (343)	2	17.00 (432)	2	20.50 (521)	2	24.00 (610)
	B*	2	17.25 (438)	2	17.25 (438)	2	17.25 (438)	2	17.25 (438)	2	17.25 (438)	3	17.25 (438)
	C	0	0.00 (0)	1	7.00 (178)	2	7.00 (178)	3	7.00 (178)	4	7.00 (178)	4	7.00 (178)
	D	2	2.50 (64)	3	2.50 (64)	4	2.50 (64)	5	2.50 (64)	6	2.50 (64)	7	2.50 (64)
	Weight, Lbs. (kg)	5.30 (2.4)		6.80 (3.1)		8.20 (3.7)		9.60 (4.3)		11.00 (5)		13.70 (6.2)	
2	A	3	6.50 (165)	3	10.00 (254)	3	13.50 (343)	3	17.00 (432)	3	20.50 (521)	3	24.00 (610)
	B*	2	20.25 (514)	2	20.25 (514)	2	20.25 (514)	2	20.25 (514)	2	20.25 (514)	3	20.25 (514)
	C	0	0.00 (0)	1	10.00 (254)	2	10.00 (254)	3	10.00 (254)	4	10.00 (254)	5	10.00 (254)
	D	4	2.50 (64)	6	2.50 (64)	8	2.50 (64)	10	2.50 (64)	12	2.50 (64)	14	2.50 (64)
	Weight, Lbs. (kg)	6.60 (3)		8.70 (4)		10.80 (4.9)		12.90 (5.9)		15.00 (6.8)		19.60 (8.9)	
3	A	3	6.50 (165)	3	10.00 (254)	3	13.50 (343)	3	17.00 (432)	3	20.50 (521)	3	24.00 (610)
	B*	2	22.75 (578)	2	22.75 (578)	2	22.75 (578)	2	22.75 (578)	2	22.75 (578)	3	22.75 (578)
	C	0	0.00 (0)	1	12.50 (318)	2	12.50 (318)	3	12.50 (318)	4	12.50 (318)	5	12.50 (318)
	D	6	2.50 (64)	9	2.50 (64)	12	2.50 (64)	15	2.50 (64)	18	2.50 (64)	21	2.50 (64)
	Weight, Lbs. (kg)	7.40 (3.3)		9.80 (4.5)		12.30 (5.6)		14.80 (6.7)		17.20 (7.8)		22.50 (10.2)	
4	A	4	6.50 (165)	4	10.00 (254)	4	13.50 (343)	4	17.00 (432)	4	20.50 (521)	4	24.00 (610)
	B*	2	25.75 (654)	2	25.75 (654)	2	25.75 (654)	2	25.75 (654)	2	25.75 (654)	3	25.75 (654)
	C	0	0.00 (0)	1	15.50 (394)	2	15.50 (394)	3	15.50 (394)	4	15.50 (394)	5	15.50 (394)
	D	8	2.50 (64)	12	2.50 (64)	8	2.50 (64)	20	2.50 (64)	25	2.50 (64)	28	2.50 (64)
	Weight, Lbs. (kg)	8.70 (3.9)		11.80 (5.4)		14.50 (6.6)		18.10 (8.2)		21.30 (9.7)		27.60 (12.5)	

\*These dimensions are based on the support rod being 12" lg (305) above the top horizontal cross member.

A = Horizontal Flatbar      B = Support Rod      C = Intermediate Rod      D = Spacer Tube

## BRIDGE HANGERS, 2" IPS, SW & 2" ID, XW FIBERGLASS CONDUIT

Intermediate Type (Note: Detailed drawings & dimensional layouts are available to download from our web site.)

	Part	Number of Ducts Wide											
		1		2		3		4		5		6	
		No. Req'd	Length inch (mm)	No. Req'd	Length inch (mm)	No. Req'd	Length inch (mm)	No. Req'd	Length inch (mm)	No. Req'd	Length inch (mm)	No. Req'd	Length inch (mm)
1	A	2	6.88 (175)	2	10.75 (273)	2	14.63 (371)	2	18.50 (470)	2	22.38 (568)	2	26.25 (667)
	B*	2	17.63 (448)	2	17.63 (448)	2	17.63 (448)	2	17.63 (448)	2	17.63 (448)	3	17.63 (448)
	C	0	0.00 (0)	1	7.38 (187)	2	7.38 (187)	3	7.38 (187)	4	7.38 (187)	4	7.38 (187)
	D	2	2.88 (73)	3	2.88 (73)	4	2.88 (73)	5	2.88 (73)	6	2.88 (73)	7	2.88 (73)
	Weight, Lbs. (kg)	5.50 (2.5)		7.00 (3.2)		8.50 (3.9)		10.10 (4.6)		11.60 (5.3)		14.40 (6.5)	
2	A	3	6.88 (175)	3	10.75 (273)	3	14.63 (371)	3	18.50 (470)	3	22.38 (568)	3	26.25 (667)
	B*	2	21.00 (533)	2	21.00 (533)	2	21.00 (533)	2	21.00 (533)	2	21.00 (533)	3	21.00 (533)
	C	0	0.00 (0)	1	10.75 (273)	2	10.75 (273)	3	10.75 (273)	4	10.75 (273)	5	10.75 (273)
	D	4	2.88 (73)	6	2.88 (73)	8	2.88 (73)	10	2.88 (73)	12	2.88 (73)	14	2.88 (73)
	Weight, Lbs. (kg)	6.90 (3.1)		9.20 (4.2)		11.50 (5.2)		13.80 (6.3)		16.10 (7.3)		21.00 (9.5)	
3	A	3	6.88 (175)	3	10.75 (273)	3	14.63 (371)	3	18.50 (470)	3	22.38 (568)	3	26.25 (667)
	B*	2	24.38 (619)	2	24.38 (619)	2	24.38 (619)	2	24.38 (619)	2	24.38 (619)	3	24.38 (619)
	C	0	0.00 (0)	1	14.13 (359)	2	14.13 (359)	3	14.13 (359)	4	14.13 (359)	5	14.13 (359)
	D	6	2.88 (73)	9	2.88 (73)	12	2.88 (73)	15	2.88 (73)	18	2.88 (73)	21	2.88 (73)
	Weight, Lbs. (kg)	7.80 (3.5)		10.50 (4.8)		13.20 (6)		15.90 (7.2)		18.60 (8.4)		24.30 (11)	
4	A	4	6.88 (175)	4	10.75 (273)	4	14.63 (371)	4	18.50 (470)	4	22.38 (568)	4	26.25 (667)
	B*	2	27.75 (705)	2	27.75 (705)	2	27.75 (705)	2	27.75 (705)	2	27.75 (705)	3	27.75 (705)
	C	0	0.00 (0)	1	17.50 (445)	2	17.50 (445)	3	17.50 (445)	4	17.50 (445)	5	17.50 (445)
	D	8	2.88 (73)	12	2.88 (73)	8	2.88 (73)	20	2.88 (73)	25	2.88 (73)	28	2.88 (73)
	Weight, Lbs. (kg)	9.20 (4.2)		12.70 (5.8)		15.70 (7.1)		19.60 (8.9)		23.10 (10.5)		29.90 (13.6)	

\*These dimensions are based on the support rod being 12" lg (305) above the top horizontal cross member.

A = Horizontal Flatbar      B = Support Rod      C = Intermediate Rod      D = Spacer Tube

## BRIDGE HANGERS, 3" ID, SW, FIBERGLASS CONDUIT

Intermediate Type (Note: Detailed drawings & dimensional layouts are available to download from our web site.)

		Number of Ducts Wide												
		1		2		3		4		5		6		
		No. Req'd	Length inch (mm)	No. Req'd	Length inch (mm)	No. Req'd	Length inch (mm)	No. Req'd	Length inch (mm)	No. Req'd	Length inch (mm)	No. Req'd	Length inch (mm)	
Number of Ducts High	1	A	2	7.50 (191)	2	12.00 (305)	2	16.50 (419)	2	21.00 (533)	2	25.50 (648)	2	30.00 (762)
		B*	2	18.25 (464)	2	18.25 (464)	2	18.25 (464)	2	18.25 (464)	2	18.25 (464)	3	18.25 (464)
		C	0	0.00 (0)	1	8.00 (203)	2	8.00 (203)	3	8.00 (203)	4	8.00 (203)	4	8.00 (203)
		D	2	3.50 (89)	3	3.50 (89)	4	3.50 (89)	5	3.50 (89)	6	3.50 (89)	7	3.50 (89)
		Weight, Lbs. (kg)	5.80 (2.6)		7.50 (3.4)		9.20 (4.2)		10.90 (4.9)		12.60 (5.7)		15.60 (7.1)	
	2	A	3	7.50 (191)	3	12.00 (305)	3	16.50 (419)	3	21.00 (533)	3	25.50 (648)	3	30.00 (762)
		B*	2	22.25 (565)	2	22.25 (565)	2	22.25 (565)	2	22.25 (565)	2	22.25 (565)	3	22.25 (565)
		C	0	0.00 (0)	1	12.00 (305)	2	12.00 (305)	3	12.00 (305)	4	12.00 (305)	5	12.00 (305)
		D	4	3.50 (89)	6	3.50 (89)	8	3.50 (89)	10	3.50 (89)	12	3.50 (89)	14	3.50 (89)
		Weight, Lbs. (kg)	7.40 (3.4)		10.00 (4.6)		12.60 (5.7)		15.20 (6.9)		17.80 (8.1)		23.20 (10.5)	
	3	A	3	7.50 (191)	3	12.00 (305)	3	16.50 (419)	3	21.00 (533)	3	25.50 (648)	3	30.00 (762)
		B*	2	25.75 (654)	2	25.75 (654)	2	25.75 (654)	2	25.75 (654)	2	25.75 (654)	3	25.75 (654)
		C	0	0.00 (0)	1	15.50 (394)	2	15.50 (394)	3	15.50 (394)	4	15.50 (394)	5	15.50 (394)
		D	6	3.50 (89)	9	3.50 (89)	12	3.50 (89)	15	3.50 (89)	18	3.50 (89)	21	3.50 (89)
		Weight, Lbs. (kg)	8.50 (3.8)		11.60 (5.3)		14.70 (6.7)		17.80 (8.1)		20.90 (9.5)		27.20 (12.4)	
	4	A	4	7.50 (191)	4	12.00 (305)	4	16.50 (419)	4	21.00 (533)	4	25.50 (648)	4	30.00 (762)
B*		2	29.75 (756)	2	29.75 (756)	2	29.75 (756)	2	29.75 (756)	2	29.75 (756)	3	29.75 (756)	
C		0	0.00 (0)	1	19.50 (495)	2	19.50 (495)	3	19.50 (495)	4	19.50 (495)	5	19.50 (495)	
D		8	3.50 (89)	12	3.50 (89)	8	3.50 (89)	20	3.50 (89)	25	3.50 (89)	28	3.50 (89)	
Weight, Lbs. (kg)		10.10 (4.6)		14.10 (6.4)		17.50 (8)		22.10 (10)		26.20 (11.9)		33.90 (15.4)		

\*These dimensions are based on the support rod being 12" lg [305] above the top horizontal cross member.

A = Horizontal Flatbar    B = Support Rod    C = Intermediate Rod    D = Spacer Tube

## BRIDGE HANGERS, 3" IPS, SW, & 3" ID, XW FIBERGLASS CONDUIT

Intermediate Type (Note: Detailed drawings & dimensional layouts are available to download from our web site.)

		Number of Ducts Wide												
		1		2		3		4		5		6		
		No. Req'd	Length inch (mm)	No. Req'd	Length inch (mm)	No. Req'd	Length inch (mm)	No. Req'd	Length inch (mm)	No. Req'd	Length inch (mm)	No. Req'd	Length inch (mm)	
Number of Ducts High	1	A	2	7.88 (200)	2	12.75 (324)	2	17.63 (448)	2	22.50 (572)	2	27.38 (695)	2	32.25 (819)
		B*	2	18.63 (473)	2	18.63 (473)	2	18.63 (473)	2	18.63 (473)	2	18.63 (473)	3	18.63 (473)
		C	0	0.00 (0)	1	8.38 (213)	2	8.38 (213)	3	8.38 (213)	4	8.38 (213)	4	8.38 (213)
		D	2	3.88 (98)	3	3.88 (98)	4	3.88 (98)	5	3.88 (98)	6	3.88 (98)	7	3.88 (98)
		Weight, Lbs. (kg)	5.90 (2.7)		7.70 (3.5)		9.60 (4.3)		11.40 (5.2)		13.20 (6)		16.30 (7.4)	
	2	A	3	7.88 (200)	3	12.75 (324)	3	17.63 (448)	3	22.50 (572)	3	27.38 (695)	3	32.25 (819)
		B*	2	23.00 (584)	2	23.00 (584)	2	23.00 (584)	2	23.00 (584)	2	23.00 (584)	3	23.00 (584)
		C	0	0.00 (0)	1	12.75 (324)	2	12.75 (324)	3	12.75 (324)	4	12.75 (324)	5	12.75 (324)
		D	4	3.88 (98)	6	3.88 (98)	8	3.88 (98)	10	3.88 (98)	12	3.88 (98)	14	3.88 (98)
		Weight, Lbs. (kg)	7.70 (3.5)		10.50 (4.8)		13.30 (6)		16.10 (7.3)		18.90 (8.6)		24.50 (11.1)	
	3	A	3	7.88 (200)	3	12.75 (324)	3	17.63 (448)	3	22.50 (572)	3	27.38 (695)	3	32.25 (819)
		B*	2	26.88 (683)	2	26.88 (683)	2	26.88 (683)	2	26.88 (683)	2	26.88 (683)	3	26.88 (683)
		C	0	0.00 (0)	1	16.63 (422)	2	16.63 (422)	3	16.63 (422)	4	16.63 (422)	5	16.63 (422)
		D	6	3.88 (98)	9	3.88 (98)	12	3.88 (98)	15	3.88 (98)	18	3.88 (98)	21	3.88 (98)
		Weight, Lbs. (kg)	8.90 (4)		12.20 (5.5)		15.60 (7.1)		18.90 (8.6)		22.30 (10.1)		29.00 (13.2)	
	4	A	4	7.88 (200)	4	12.75 (324)	4	17.63 (448)	4	22.50 (572)	4	27.38 (695)	4	32.25 (819)
B*		2	31.25 (794)	2	31.25 (794)	2	31.25 (794)	2	31.25 (794)	2	31.25 (794)	3	31.25 (794)	
C		0	0.00 (0)	1	21.00 (533)	2	21.00 (533)	3	21.00 (533)	4	21.00 (533)	5	21.00 (533)	
D		8	3.88 (98)	12	3.88 (98)	8	3.88 (98)	20	3.88 (98)	25	3.88 (98)	28	3.88 (98)	
Weight, Lbs. (kg)		10.70 (4.8)		15.00 (6.8)		18.70 (8.5)		23.70 (10.7)		28.10 (12.7)		36.20 (16.4)		

\*These dimensions are based on the support rod being 12" lg [305] above the top horizontal cross member.

A = Horizontal Flatbar    B = Support Rod    C = Intermediate Rod    D = Spacer Tube

## GLASS CONDUIT

Layouts are available to download from our web site.)

Number of Ducts Wide							
		4		5		6	
Length inch (mm)	No. Req'd	Length inch (mm)	No. Req'd	Length inch (mm)	No. Req'd	Length inch (mm)	No. Req'd
100 (457)	2	23.00 (584)	2	28.00 (711)	2	33.00 (838)	2
75 (476)	2	18.75 (476)	2	18.75 (476)	3	18.75 (476)	3
50 (216)	3	8.50 (216)	4	8.50 (216)	4	8.50 (216)	4
100 (102)	5	4.00 (102)	6	4.00 (102)	7	4.00 (102)	7
70 (4.4)		11.50 (5.2)		13.40 (6.1)		16.50 (7.5)	
100 (457)	3	23.00 (584)	3	28.00 (711)	3	33.00 (838)	3
75 (591)	2	23.25 (591)	2	23.25 (591)	3	23.25 (591)	3
100 (330)	3	13.00 (330)	4	13.00 (330)	5	13.00 (330)	5
100 (102)	10	4.00 (102)	12	4.00 (102)	14	4.00 (102)	14

## FIBERGLASS CONDUIT

Layouts are available to download from our web site.)

INTERMEDIATE TYPE - CHAMPION HANGERS



## BRIDGE HANGERS, 4" IPS, SW & HW & 4" ID, XW FIBERGLASS CONDUIT

Intermediate Type (Note: Detailed drawings & dimensional layouts are available to download from our web site.)

Part		Number of Ducts Wide											
		1		2		3		4		5		6	
		No. Req'd	Length inch (mm)	No. Req'd	Length inch (mm)	No. Req'd	Length inch (mm)	No. Req'd	Length inch (mm)	No. Req'd	Length inch (mm)	No. Req'd	Length inch (mm)
1	A	2	8.88 (225)	2	14.75 (375)	2	20.63 (524)	2	26.50 (673)	2	32.38 (822)	2	38.25 (972)
	B*	2	19.63 (498)	2	19.63 (498)	2	19.63 (498)	2	19.63 (498)	2	19.63 (498)	3	19.63 (498)
	C	0	0.00 (0)	1	9.38 (238)	2	9.38 (238)	3	9.38 (238)	4	9.38 (238)	4	9.38 (238)
	D	2	4.88 (124)	3	4.88 (124)	4	4.88 (124)	5	4.88 (124)	6	4.88 (124)	7	4.88 (124)
	Weight, Lbs. (kg)	6.40 (2.9)		8.50 (3.8)		10.60 (4.8)		12.70 (5.7)		14.80 (6.7)		18.10 (8.2)	
2	A	3	8.88 (225)	3	14.75 (375)	3	20.63 (524)	3	26.50 (673)	3	32.38 (822)	3	38.25 (972)
	B*	2	25.00 (635)	2	25.00 (635)	2	25.00 (635)	2	25.00 (635)	2	25.00 (635)	3	25.00 (635)
	C	0	0.00 (0)	1	14.75 (375)	2	14.75 (375)	3	14.75 (375)	4	14.75 (375)	5	14.75 (375)
	D	4	4.88 (124)	6	4.88 (124)	8	4.88 (124)	10	4.88 (124)	12	4.88 (124)	14	4.88 (124)
	Weight, Lbs. (kg)	8.50 (3.9)		11.80 (5.4)		15.10 (6.9)		18.40 (8.3)		21.70 (9.8)		28.10 (12.7)	
3	A	3	8.88 (225)	3	14.75 (375)	3	20.63 (524)	3	26.50 (673)	3	32.38 (822)	3	38.25 (972)
	B*	2	29.88 (759)	2	29.88 (759)	2	29.88 (759)	2	29.88 (759)	2	29.88 (759)	3	29.88 (759)
	C	0	0.00 (0)	1	19.63 (498)	2	19.63 (498)	3	19.63 (498)	4	19.63 (498)	5	19.63 (498)
	D	6	4.88 (124)	9	4.88 (124)	12	4.88 (124)	15	4.88 (124)	18	4.88 (124)	21	4.88 (124)
	Weight, Lbs. (kg)	10.00 (4.5)		14.00 (6.3)		18.00 (8.2)		22.00 (10)		26.00 (11.8)		33.70 (15.3)	
4	A	4	8.88 (225)	4	14.75 (375)	4	20.63 (524)	4	26.50 (673)	4	32.38 (822)	4	38.25 (972)
	B*	2	35.25 (895)	2	35.25 (895)	2	35.25 (895)	2	35.25 (895)	2	35.25 (895)	3	35.25 (895)
	C	0	0.00 (0)	1	25.00 (635)	2	25.00 (635)	3	25.00 (635)	4	25.00 (635)	5	25.00 (635)
	D	8	4.88 (124)	12	4.88 (124)	8	4.88 (124)	20	4.88 (124)	25	4.88 (124)	28	4.88 (124)
	Weight, Lbs. (kg)	12.10 (5.5)		17.30 (7.9)		21.70 (9.8)		27.70 (12.6)		33.00 (15)		42.50 (19.3)	

\*These dimensions are based on the support rod being 12" lg [305] above the top horizontal cross member.

A = Horizontal Flatbar      B = Support Rod      C = Intermediate Rod      D = Spacer Tube

## BRIDGE HANGERS, 4.5" ID, SW & HW FIBERGLASS CONDUIT

Intermediate Type (Note: Detailed drawings & dimensional layouts are available to download from our web site.)

Part		Number of Ducts Wide											
		1		2		3		4		5		6	
		No. Req'd	Length inch (mm)	No. Req'd	Length inch (mm)	No. Req'd	Length inch (mm)	No. Req'd	Length inch (mm)	No. Req'd	Length inch (mm)	No. Req'd	Length inch (mm)
1	A	2	9.00 (229)	2	15.00 (381)	2	21.00 (533)	2	27.00 (686)	2	33.00 (838)	2	39.00 (991)
	B*	2	19.75 (502)	2	19.75 (502)	2	19.75 (502)	2	19.75 (502)	2	19.75 (502)	3	19.75 (502)
	C	0	0.00 (0)	1	9.50 (241)	2	9.50 (241)	3	9.50 (241)	4	9.50 (241)	4	9.50 (241)
	D	2	5.00 (127)	3	5.00 (127)	4	5.00 (127)	5	5.00 (127)	6	5.00 (127)	7	5.00 (127)
	Weight, Lbs. (kg)	6.40 (2.9)		8.60 (3.9)		10.70 (4.8)		12.80 (5.8)		15.00 (6.8)		18.40 (8.3)	
2	A	3	9.00 (229)	3	15.00 (381)	3	21.00 (533)	3	27.00 (686)	3	33.00 (838)	3	39.00 (991)
	B*	2	25.25 (641)	2	25.25 (641)	2	25.25 (641)	2	25.25 (641)	2	25.25 (641)	3	25.25 (641)
	C	0	0.00 (0)	1	15.00 (381)	2	15.00 (381)	3	15.00 (381)	4	15.00 (381)	5	15.00 (381)
	D	4	5.00 (127)	6	5.00 (127)	8	5.00 (127)	10	5.00 (127)	12	5.00 (127)	14	5.00 (127)
	Weight, Lbs. (kg)	8.60 (3.9)		12.00 (5.4)		15.30 (7)		18.70 (8.5)		22.00 (10)		28.60 (13)	
3	A	3	9.00 (229)	3	15.00 (381)	3	21.00 (533)	3	27.00 (686)	3	33.00 (838)	3	39.00 (991)
	B*	2	30.25 (768)	2	30.25 (768)	2	30.25 (768)	2	30.25 (768)	2	30.25 (768)	3	30.25 (768)
	C	0	0.00 (0)	1	20.00 (508)	2	20.00 (508)	3	20.00 (508)	4	20.00 (508)	5	20.00 (508)
	D	6	5.00 (127)	9	5.00 (127)	12	5.00 (127)	15	5.00 (127)	18	5.00 (127)	21	5.00 (127)
	Weight, Lbs. (kg)	10.10 (4.6)		14.20 (6.4)		18.30 (8.3)		22.40 (10.1)		26.40 (12)		34.30 (15.6)	
4	A	4	9.00 (229)	4	15.00 (381)	4	21.00 (533)	4	27.00 (686)	4	33.00 (838)	4	39.00 (991)
	B*	2	35.75 (908)	2	35.75 (908)	2	35.75 (908)	2	35.75 (908)	2	35.75 (908)	3	35.75 (908)
	C	0	0.00 (0)	1	25.50 (648)	2	25.50 (648)	3	25.50 (648)	4	25.50 (648)	5	25.50 (648)
	D	8	5.00 (127)	12	5.00 (127)	8	5.00 (127)	20	5.00 (127)	25	5.00 (127)	28	5.00 (127)
	Weight, Lbs. (kg)	12.30 (5.6)		17.60 (8)		22.10 (10)		28.20 (12.8)		33.60 (15.3)		43.30 (19.6)	

\*These dimensions are based on the support rod being 12" lg [305] above the top horizontal cross member.

A = Horizontal Flatbar      B = Support Rod      C = Intermediate Rod      D = Spacer Tube



## BRIDGE HANGERS, 5" ID, SW, MW & HW FIBERGLASS CONDUIT

Intermediate Type (Note: Detailed drawings & dimensional layouts are available to download from our web site.)

Part		Number of Ducts Wide													
		1		2		3		4		5		6			
		No. Req'd	Length inch (mm)	No. Req'd	Length inch (mm)	No. Req'd	Length inch (mm)	No. Req'd	Length inch (mm)	No. Req'd	Length inch (mm)	No. Req'd	Length inch (mm)		
Number of Ducts High	1	A	2	9.50 (241)	2	16.00 (406)	2	22.50 (572)	2	29.00 (737)	2	35.50 (902)	2	42.00 (1067)	
		B*	2	20.25 (514)	2	20.25 (514)	2	20.25 (514)	2	20.25 (514)	2	20.25 (514)	3	20.25 (514)	
		C	0	0.00 (0)	1	10.00 (254)	2	10.00 (254)	3	10.00 (254)	4	10.00 (254)	4	10.00 (254)	
		D	2	5.50 (140)	3	5.50 (140)	4	5.50 (140)	5	5.50 (140)	6	5.50 (140)	7	5.50 (140)	
		Weight, Lbs. (kg)		6.60 (3)		8.90 (4)		11.20 (5.1)		13.50 (6.1)		15.70 (7.1)		19.30 (8.8)	
		2	A	3	9.50 (241)	3	16.00 (406)	3	22.50 (572)	3	29.00 (737)	3	35.50 (902)	3	42.00 (1067)
		B*	2	26.25 (667)	2	26.25 (667)	2	26.25 (667)	2	26.25 (667)	2	26.25 (667)	3	26.25 (667)	
		C	0	0.00 (0)	1	16.00 (406)	2	16.00 (406)	3	16.00 (406)	4	16.00 (406)	5	16.00 (406)	
		D	4	5.50 (140)	6	5.50 (140)	8	5.50 (140)	10	5.50 (140)	12	5.50 (140)	14	5.50 (140)	
		Weight, Lbs. (kg)		9.00 (4.1)		12.60 (5.7)		16.20 (7.4)		19.80 (9)		23.40 (10.6)		30.30 (13.8)	
		3	A	3	9.50 (241)	3	16.00 (406)	3	22.50 (572)	3	29.00 (737)	3	35.50 (902)	3	42.00 (1067)
		B*	2	31.75 (806)	2	31.75 (806)	2	31.75 (806)	2	31.75 (806)	2	31.75 (806)	3	31.75 (806)	
		C	0	0.00 (0)	1	21.50 (546)	2	21.50 (546)	3	21.50 (546)	4	21.50 (546)	5	21.50 (546)	
		D	6	5.50 (140)	9	5.50 (140)	12	5.50 (140)	15	5.50 (140)	18	5.50 (140)	21	5.50 (140)	
		Weight, Lbs. (kg)		10.60 (4.8)		15.10 (6.8)		19.50 (8.8)		23.90 (10.8)		28.30 (12.8)		36.70 (16.6)	
		4	A	4	9.50 (241)	4	16.00 (406)	4	22.50 (572)	4	29.00 (737)	4	35.50 (902)	4	42.00 (1067)
	B*	2	37.75 (959)	2	37.75 (959)	2	37.75 (959)	2	37.75 (959)	2	37.75 (959)	3	37.75 (959)		
	C	0	0.00 (0)	1	27.50 (699)	2	27.50 (699)	3	27.50 (699)	4	27.50 (699)	5	27.50 (699)		
	D	8	5.50 (140)	12	5.50 (140)	8	5.50 (140)	20	5.50 (140)	25	5.50 (140)	28	5.50 (140)		
	Weight, Lbs. (kg)		13.10 (5.9)		18.80 (8.5)		23.60 (10.7)		30.30 (13.7)		36.10 (16.4)		46.40 (21.1)		

\*These dimensions are based on the support rod being 12" lg (305) above the top horizontal cross member.

A = Horizontal Flatbar      B = Support Rod      C = Intermediate Rod      D = Spacer Tube

## BRIDGE HANGERS, 5" IPS, SW, MW & HW & 5" ID, XW FIBERGLASS CONDUIT

Intermediate Type (Note: Detailed drawings & dimensional layouts are available to download from our web site.)

Part		Number of Ducts Wide													
		1		2		3		4		5		6			
		No. Req'd	Length inch (mm)	No. Req'd	Length inch (mm)	No. Req'd	Length inch (mm)	No. Req'd	Length inch (mm)	No. Req'd	Length inch (mm)	No. Req'd	Length inch (mm)		
Number of Ducts High	1	A	2	9.88 (251)	2	16.75 (425)	2	23.63 (600)	2	30.50 (775)	2	37.38 (949)	2	44.25 (1124)	
		B*	2	20.63 (524)	2	20.63 (524)	2	20.63 (524)	2	20.63 (524)	2	20.63 (524)	3	20.63 (524)	
		C	0	0.00 (0)	1	10.38 (264)	2	10.38 (264)	3	10.38 (264)	4	10.38 (264)	4	10.38 (264)	
		D	2	5.88 (149)	3	5.88 (149)	4	5.88 (149)	5	5.88 (149)	6	5.88 (149)	7	5.88 (149)	
		Weight, Lbs. (kg)		6.80 (3.1)		9.20 (4.2)		11.60 (5.2)		14.00 (6.3)		16.30 (7.4)		20.00 (9.1)	
		2	A	3	9.88 (251)	3	16.75 (425)	3	23.63 (600)	3	30.50 (775)	3	37.38 (949)	3	44.25 (1124)
		B*	2	27.00 (686)	2	27.00 (686)	2	27.00 (686)	2	27.00 (686)	2	27.00 (686)	3	27.00 (686)	
		C	0	0.00 (0)	1	16.75 (425)	2	16.75 (425)	3	16.75 (425)	4	16.75 (425)	5	16.75 (425)	
		D	4	5.88 (149)	6	5.88 (149)	8	5.88 (149)	10	5.88 (149)	12	5.88 (149)	14	5.88 (149)	
		Weight, Lbs. (kg)		9.30 (4.2)		13.10 (6)		16.90 (7.7)		20.70 (9.4)		24.50 (11.1)		31.70 (14.4)	
		3	A	3	9.88 (251)	3	16.75 (425)	3	23.63 (600)	3	30.50 (775)	3	37.38 (949)	3	44.25 (1124)
		B*	2	32.88 (835)	2	32.88 (835)	2	32.88 (835)	2	32.88 (835)	2	32.88 (835)	3	32.88 (835)	
		C	0	0.00 (0)	1	22.63 (575)	2	22.63 (575)	3	22.63 (575)	4	22.63 (575)	5	22.63 (575)	
		D	6	5.88 (149)	9	5.88 (149)	12	5.88 (149)	15	5.88 (149)	18	5.88 (149)	21	5.88 (149)	
		Weight, Lbs. (kg)		11.10 (5)		15.70 (7.1)		20.40 (9.2)		25.00 (11.3)		29.70 (13.5)		38.40 (17.4)	
		4	A	4	9.88 (251)	4	16.75 (425)	4	23.63 (600)	4	30.50 (775)	4	37.38 (949)	4	44.25 (1124)
	B*	2	39.25 (997)	2	39.25 (997)	2	39.25 (997)	2	39.25 (997)	2	39.25 (997)	3	39.25 (997)		
	C	0	0.00 (0)	1	29.00 (737)	2	29.00 (737)	3	29.00 (737)	4	29.00 (737)	5	29.00 (737)		
	D	8	5.88 (149)	12	5.88 (149)	8	5.88 (149)	20	5.88 (149)	25	5.88 (149)	28	5.88 (149)		
	Weight, Lbs. (kg)		13.60 (6.2)		19.70 (8.9)		24.70 (11.2)		31.80 (14.4)		38.00 (17.2)		48.80 (22.1)		

\*These dimensions are based on the support rod being 12" lg (305) above the top horizontal cross member.

A = Horizontal Flatbar      B = Support Rod      C = Intermediate Rod      D = Spacer Tube

## BRIDGE HANGERS, 6" ID, SW, MW & HW FIBERGLASS CONDUIT

Intermediate Type (Note: Detailed drawings & dimensional layouts are available to download from our web site.)

		Number of Ducts Wide												
		1		2		3		4		5		6		
		No. Req'd	Length inch (mm)	No. Req'd	Length inch (mm)	No. Req'd	Length inch (mm)	No. Req'd	Length inch (mm)	No. Req'd	Length inch (mm)	No. Req'd	Length inch (mm)	
Number of Ducts High	1	A	2	10.50 (267)	2	18.00 (457)	2	25.50 (648)	2	33.00 (838)	2	40.50 (1029)	2	48.00 (1219)
		B*	2	21.25 (540)	2	21.25 (540)	2	21.25 (540)	2	21.25 (540)	2	21.25 (540)	3	21.25 (540)
		C	0	0.00 (0)	1	11.00 (279)	2	11.00 (279)	3	11.00 (279)	4	11.00 (279)	4	11.00 (279)
		D	2	6.50 (165)	3	6.50 (165)	4	6.50 (165)	5	6.50 (165)	6	6.50 (165)	7	6.50 (165)
		Weight, Lbs. (kg)		7.10 (3.2)		9.60 (4.4)		12.20 (5.5)		14.80 (6.7)		17.30 (7.9)		21.20 (9.6)
	2	A	3	10.50 (267)	3	18.00 (457)	3	25.50 (648)	3	33.00 (838)	3	40.50 (1029)	3	48.00 (1219)
		B*	2	28.25 (718)	2	28.25 (718)	2	28.25 (718)	2	28.25 (718)	2	28.25 (718)	3	28.25 (718)
		C	0	0.00 (0)	1	18.00 (457)	2	18.00 (457)	3	18.00 (457)	4	18.00 (457)	5	18.00 (457)
		D	4	6.50 (165)	6	6.50 (165)	8	6.50 (165)	10	6.50 (165)	12	6.50 (165)	14	6.50 (165)
		Weight, Lbs. (kg)		9.80 (4.5)		13.90 (6.3)		18.00 (8.2)		22.20 (10)		26.30 (11.9)		33.90 (15.4)
	3	A	3	10.50 (267)	3	18.00 (457)	3	25.50 (648)	3	33.00 (838)	3	40.50 (1029)	3	48.00 (1219)
		B*	2	34.75 (883)	2	34.75 (883)	2	34.75 (883)	2	34.75 (883)	2	34.75 (883)	3	34.75 (883)
		C	0	0.00 (0)	1	24.50 (622)	2	24.50 (622)	3	24.50 (622)	4	24.50 (622)	5	24.50 (622)
		D	6	6.50 (165)	9	6.50 (165)	12	6.50 (165)	15	6.50 (165)	18	6.50 (165)	21	6.50 (165)
		Weight, Lbs. (kg)		11.70 (5.3)		16.80 (7.6)		21.90 (9.9)		26.90 (12.2)		32.00 (14.5)		41.40 (18.8)
	4	A	4	10.50 (267)	4	18.00 (457)	4	25.50 (648)	4	33.00 (838)	4	40.50 (1029)	4	48.00 (1219)
B*		2	41.75 (1060)	2	41.75 (1060)	2	41.75 (1060)	2	41.75 (1060)	2	41.75 (1060)	3	41.75 (1060)	
C		0	0.00 (0)	1	31.50 (800)	2	31.50 (800)	3	31.50 (800)	4	31.50 (800)	5	31.50 (800)	
D		8	6.50 (165)	12	6.50 (165)	8	6.50 (165)	20	6.50 (165)	25	6.50 (165)	28	6.50 (165)	
Weight, Lbs. (kg)			14.50 (6.6)		21.10 (9.6)		26.60 (12.1)		34.30 (15.6)		41.00 (18.6)		52.70 (23.9)	

\*These dimensions are based on the support rod being 12" lg [305] above the top horizontal cross member.

A = Horizontal Flatbar      B = Support Rod      C = Intermediate Rod      D = Spacer Tube

## BRIDGE HANGERS, 6" IPS, SW, MW & HW & 6" ID, XW FIBERGLASS CONDUIT

Intermediate Type (Note: Detailed drawings & dimensional layouts are available to download from our web site.)

		Number of Ducts Wide												
		1		2		3		4		5		6		
		No. Req'd	Length inch (mm)	No. Req'd	Length inch (mm)	No. Req'd	Length inch (mm)	No. Req'd	Length inch (mm)	No. Req'd	Length inch (mm)	No. Req'd	Length inch (mm)	
Number of Ducts High	1	A	2	10.88 (276)	2	18.75 (476)	2	26.63 (676)	2	34.50 (876)	2	42.38 (1076)	2	50.25 (1276)
		B*	2	21.63 (549)	2	21.63 (549)	2	21.63 (549)	2	21.63 (549)	2	21.63 (549)	3	21.63 (549)
		C	0	0.00 (0)	1	11.38 (289)	2	11.38 (289)	3	11.38 (289)	4	11.38 (289)	4	11.38 (289)
		D	2	6.88 (175)	3	6.88 (175)	4	6.88 (175)	5	6.88 (175)	6	6.88 (175)	7	6.88 (175)
		Weight, Lbs. (kg)		7.20 (3.3)		9.90 (4.5)		12.60 (5.7)		15.20 (6.9)		17.90 (8.1)		21.90 (9.9)
	2	A	3	10.88 (276)	3	18.75 (476)	3	26.63 (676)	3	34.50 (876)	3	42.38 (1076)	3	50.25 (1276)
		B*	2	29.00 (737)	2	29.00 (737)	2	29.00 (737)	2	29.00 (737)	2	29.00 (737)	3	29.00 (737)
		C	0	0.00 (0)	1	18.75 (476)	2	18.75 (476)	3	18.75 (476)	4	18.75 (476)	5	18.75 (476)
		D	4	6.88 (175)	6	6.88 (175)	8	6.88 (175)	10	6.88 (175)	12	6.88 (175)	14	6.88 (175)
		Weight, Lbs. (kg)		10.10 (4.6)		14.40 (6.5)		18.70 (8.5)		23.00 (10.4)		27.30 (12.4)		35.20 (16)
	3	A	3	10.88 (276)	3	18.75 (476)	3	26.63 (676)	3	34.50 (876)	3	42.38 (1076)	3	50.25 (1276)
		B*	2	35.88 (911)	2	35.88 (911)	2	35.88 (911)	2	35.88 (911)	2	35.88 (911)	3	35.88 (911)
		C	0	0.00 (0)	1	25.63 (651)	2	25.63 (651)	3	25.63 (651)	4	25.63 (651)	5	25.63 (651)
		D	6	6.88 (175)	9	6.88 (175)	12	6.88 (175)	15	6.88 (175)	18	6.88 (175)	21	6.88 (175)
		Weight, Lbs. (kg)		12.10 (5.5)		17.50 (7.9)		22.80 (10.3)		28.10 (12.7)		33.40 (15.1)		43.10 (19.6)
	4	A	4	10.88 (276)	4	18.75 (476)	4	26.63 (676)	4	34.50 (876)	4	42.38 (1076)	4	50.25 (1276)
B*		2	43.25 (1099)	2	43.25 (1099)	2	43.25 (1099)	2	43.25 (1099)	2	43.25 (1099)	3	43.25 (1099)	
C		0	0.00 (0)	1	33.00 (838)	2	33.00 (838)	3	33.00 (838)	4	33.00 (838)	5	33.00 (838)	
D		8	6.88 (175)	12	6.88 (175)	8	6.88 (175)	20	6.88 (175)	25	6.88 (175)	28	6.88 (175)	
Weight, Lbs. (kg)			15.00 (6.8)		22.00 (10)		27.70 (12.6)		35.80 (16.3)		42.90 (19.5)		55.10 (25)	

\*These dimensions are based on the support rod being 12" lg [305] above the top horizontal cross member.

A = Horizontal Flatbar      B = Support Rod      C = Intermediate Rod      D = Spacer Tube

# BRIDGE HANGERS, 8" IPS, SW, MW & HW FIBERGLASS CONDUIT

Intermediate Type (Note: Detailed drawings & dimensional layouts are available to download from our web site.)

		Number of Ducts Wide												
		1		2		3		4		5		6		
		No. Req'd	Length inch (mm)	No. Req'd	Length inch (mm)	No. Req'd	Length inch (mm)	No. Req'd	Length inch (mm)	No. Req'd	Length inch (mm)	No. Req'd	Length inch (mm)	
Number of Ducts High	1	A	2	13.00 (330)	2	23.00 (584)	2	33.00 (838)	2	43.00 (1092)	2	53.00 (1346)	2	63.00 (1600)
		B*	2	23.75 (603)	2	23.75 (603)	2	23.75 (603)	2	23.75 (603)	2	23.75 (603)	3	23.75 (603)
		C	0	0.00 (0)	1	13.50 (343)	2	13.50 (343)	3	13.50 (343)	4	13.50 (343)	4	13.50 (343)
		D	2	9.00 (229)	3	9.00 (229)	4	9.00 (229)	5	9.00 (229)	6	9.00 (229)	7	9.00 (229)
		Weight, Lbs. (kg)	8.10 (3.7)		11.40 (5.2)		14.70 (6.7)		18.00 (8.2)		21.30 (9.7)		25.80 (11.7)	
	2	A	3	13.00 (330)	3	23.00 (584)	3	33.00 (838)	3	43.00 (1092)	3	53.00 (1346)	3	63.00 (1600)
		B*	2	33.25 (845)	2	33.25 (845)	2	33.25 (845)	2	33.25 (845)	2	33.25 (845)	3	33.25 (845)
		C	0	0.00 (0)	1	23.00 (584)	2	23.00 (584)	3	23.00 (584)	4	23.00 (584)	5	23.00 (584)
		D	4	9.00 (229)	6	9.00 (229)	8	9.00 (229)	10	9.00 (229)	12	9.00 (229)	14	9.00 (229)
		Weight, Lbs. (kg)	11.80 (5.4)		17.20 (7.8)		22.60 (10.2)		27.90 (12.7)		33.30 (15.1)		42.80 (19.4)	
	3	A	3	13.00 (330)	3	23.00 (584)	3	33.00 (838)	3	43.00 (1092)	3	53.00 (1346)	3	63.00 (1600)
		B*	2	42.25 (1073)	2	42.25 (1073)	2	42.25 (1073)	2	42.25 (1073)	2	42.25 (1073)	3	42.25 (1073)
		C	0	0.00 (0)	1	32.00 (813)	2	32.00 (813)	3	32.00 (813)	4	32.00 (813)	5	32.00 (813)
		D	6	9.00 (229)	9	9.00 (229)	12	9.00 (229)	15	9.00 (229)	18	9.00 (229)	21	9.00 (229)
		Weight, Lbs. (kg)	14.50 (6.6)		21.10 (9.6)		27.80 (12.6)		34.50 (15.7)		41.20 (18.7)		53.20 (24.1)	
	4	A	4	13.00 (330)	4	23.00 (584)	4	33.00 (838)	4	43.00 (1092)	4	53.00 (1346)	4	63.00 (1600)
B*		2	51.75 (1314)	2	51.75 (1314)	2	51.75 (1314)	2	51.75 (1314)	2	51.75 (1314)	3	51.75 (1314)	
C		0	0.00 (0)	1	41.50 (1054)	2	41.50 (1054)	3	41.50 (1054)	4	41.50 (1054)	5	41.50 (1054)	
D		8	9.00 (229)	12	9.00 (229)	8	9.00 (229)	20	9.00 (229)	25	9.00 (229)	28	9.00 (229)	
Weight, Lbs. (kg)		18.10 (8.2)		26.90 (12.2)		34.10 (15.5)		44.40 (20.2)		53.40 (24.2)		68.40 (31)		

\*These dimensions are based on the support rod being 12" lg (305) above the top horizontal cross member.

A = Horizontal Flatbar

B = Support Rod

C = Intermediate Rod

D = Spacer Tube

INTERMEDIATE TYPE - CHAMPION HANGERS



## LIMITED WARRANTY

This warranty covers any Champion Fiberglass, Inc. ("Champion") electrical conduit products ("Product").

Subject to the terms and conditions of this warranty, Champion warrants that the Product is free from defects in workmanship and materials for a period of one (1) year from the date of purchase. During the applicable terms of this warranty, and subject to the terms and conditions thereof, in the event that the Product is proven to be defective and the defect is not caused by any misuse or damage to the Product while in the possession of the user, Champion will remedy the failure or defect without charge to the user except for labor. The remedy will consist of repair or replacement of the Product and or defective part, at Champion's option. Repair will be made, at Champion's option, either at user's location or at a facility designated by Champion. Any replacement part provided under this warranty assumed as its warranty period only the unexpired term of this warranty, which is fixed when such part replaces a defective part. This warranty does not cover defects, failure or damages caused by normal wear and tear, act of God, accident, misuse or unreasonable use of the Product, lack of proper maintenance, fire, flood, or any circumstances or events beyond Champion's control.

Champion's sole obligation under this warranty is to repair or replace the product, as provided herein. Champion shall have no liability for any direct, incidental, special or consequential damages resulting from breach of this or any other warranty (no warranty being implied from this reference) on the product. Except to the extent prohibited by applicable law, any implied warranty, including without limitation, of merchantability or fitness for any particular purchase with respect to the product, is limited in duration to the term of this warranty. This warranty is in lieu of any other express warranties and of any other obligation on the part of Champion. Any other express warranties are expressly excluded and disclaimed. No Champion representative is authorized to give any warranty (other than this warranty) with respect to the product, and any such warranty given by a Champion representative shall not constitute a Champion warranty or be binding in any respect upon Champion.

Note: Some states do not allow the exclusion or limitation of incidental or consequential damages, so the above limitation or exclusion may not apply to you. Some states do not allow limitation on how long an implied warranty lasts, so the above limitations may not apply to you.

To obtain performance of any obligation of Champion under this warranty, the user must provide proof of the date of purchase, notify Champion of any warranty claim at the following address:

**CHAMPION FIBERGLASS, INC.**  
6400 Spring Stuebner Rd  
Spring, TX 77389  
Attention: Warranty Claims  
Telephone: (281) 655-8900

Notify the nearest Champion authorized representative for inspection of the Product. For the name of the nearest authorized representative, refer to our web site: [www.championfiberglass.com](http://www.championfiberglass.com) / Locate a Rep Tab / or you can contact our corporate offices for the appropriate Representative's contact information. Any written correspondence can be mailed to our corporate offices at the address above.

**This warranty gives you specific legal rights, and you may also have other rights which vary from state to state.**



# CERTIFICATE OF REGISTRATION

This is to certify that

## Champion Fiberglass Inc.

6400 Spring Stuebner Rd., Spring, Texas 77389 USA

operates a

## Quality Management System

which complies with the requirements of

## ISO 9001:2008

for the following scope of registration

### Manufacture of fiberglass conduit and fittings.

Certificate No.:	CERT-0065909	Original Certification Date:	November 6, 2009
File No.:	1058413	Current Certification Date:	November 5, 2012
Issue Date:	September 28, 2012	Certificate Expiry Date:	November 4, 2015

Chris Jouppi  
President,  
QMI-SAI Canada Limited

Guillaume Gignac, ing.f  
Vice President, Corporate Operations, Accreditation & Quality  
QMI-SAI Canada Limited



ISO 9001



Registered by:  
SAI Global Certification Services Pty Ltd, 286 Sussex Street, Sydney NSW 2000 Australia with QMI-SAI Canada Limited, 20 Carlson Court, Suite 200,  
Toronto, Ontario M9W 7K6 Canada (SAI GLOBAL). This registration is subject to the SAI Global Terms and Conditions for Certification. While all due care  
and skill was exercised in carrying out this assessment, SAI Global accepts responsibility only for proven negligence. This certificate remains the property  
of SAI Global and must be returned to them upon request.  
To verify that this certificate is current, please refer to the SAI Global On-Line Certification Register: [www.qmi-saiglobal.com/qmi\\_companies/](http://www.qmi-saiglobal.com/qmi_companies/)



INFORM. INSPIRE. IMPROVE.



▶ 6400 Spring Stuebner Rd  
Spring, TX 77389  
Main: 281.655.8900  
Fax: 281.257.2523

▶ [championfiberglass.com](http://championfiberglass.com)



© 2014 by Champion Fiberglass, Inc.  
All rights reserved. This catalog, or parts thereof, may not be reproduced  
in any other format without written permission of the publishers.