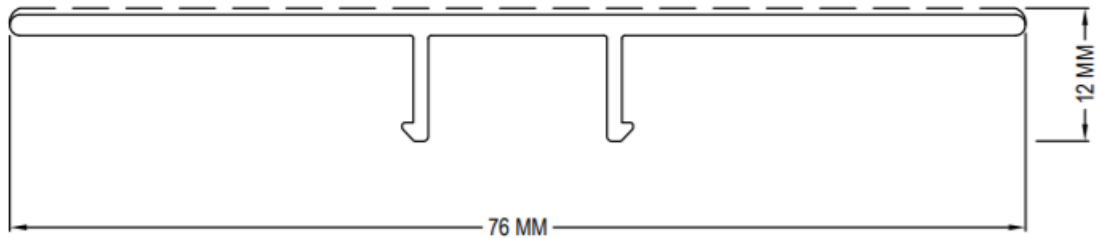


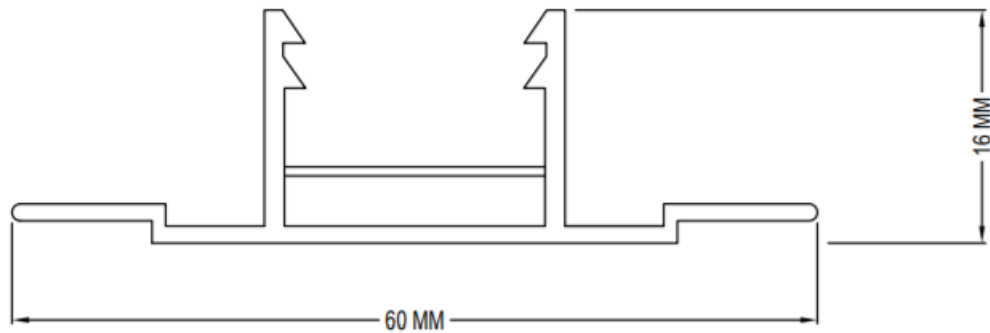


PROFESSIONAL PLASTICS

Polycarbonate HCP – H-Clip Profile 2 piece assembly – HCP Cap & GCP Base



CAP PROFILE (HCP CAP 211)



BASE PROFILE (HCP BASE 207)

NOTES:

1. INSTALLATION TO BE COMPLETED IN ACCORDANCE WITH MANUFACTURER'S SPECIFICATIONS.
2. DO NOT SCALE DRAWING.
3. THIS DRAWING IS INTENDED FOR USE BY ARCHITECTS, ENGINEERS, CONTRACTORS, CONSULTANTS AND DESIGN PROFESSIONALS FOR PLANNING PURPOSES ONLY. THIS DRAWING MAY NOT BE USED FOR CONSTRUCTION.
4. ALL INFORMATION CONTAINED HEREIN WAS CURRENT AT THE TIME OF DEVELOPMENT BUT MUST BE REVIEWED AND APPROVED BY THE PRODUCT MANUFACTURER TO BE CONSIDERED ACCURATE.
5. CONTRACTOR'S NOTE: FOR PRODUCT AND COMPANY INFORMATION VISIT www.CADdetails.com/info AND ENTER REFERENCE NUMBER 2470-019.

www.professionalplastics.com/Polycarbonate-HCP-H-Clip-Profile sales@proplas.com

USA (888) 995-7767 – Singapore +65 6266-6193 – 台灣 Taiwan +886 (3) 535 7850