

Hi-Impact Utility Duct Spacers



Cal Am Manufacturing's Hi-Impact Utility Duct Spacers have been the choice for contractors for nearly two decades; utilizing a proven two-piece design specifically engineered to support duct arrays within trenching prior to encasement, these sturdy, versatile and light-weight spacers will not shift under the weight of your workmen to stay firmly in place during fill.

Available in 18 sizes, Cal Am's Utility Duct Spacers can accommodate duct work ranging in size from 2 to 8 inches while providing separation of 1.5 to 3 inches. Our spacers are also available in 18 pre-fabricated configurations make them the easiest spacer to install in the field

Molded from the finest grades of high impact polymers using state-of-the-art manufacturing techniques, these products are highly resistant to extreme temperature fluctuations, UV light, are virtually indestructible and offer the consistent lot-to-lot conformity that is a must when accurate duct separation is required.

For over 25 years Cal Am has been providing the Power and Telecommunications industry with the highest quality conduit fittings and supports. For more information on other fine Cal Am products please call or visit our website today at www.calammfg.com.

- Resistant to Extreme Temperature Fluctuations
- Constructed of High Impact Polystyrene
- Available in 18 Sizes
- Snap-Loc Design for Fast Field Assembly
- Virtually Indestructible





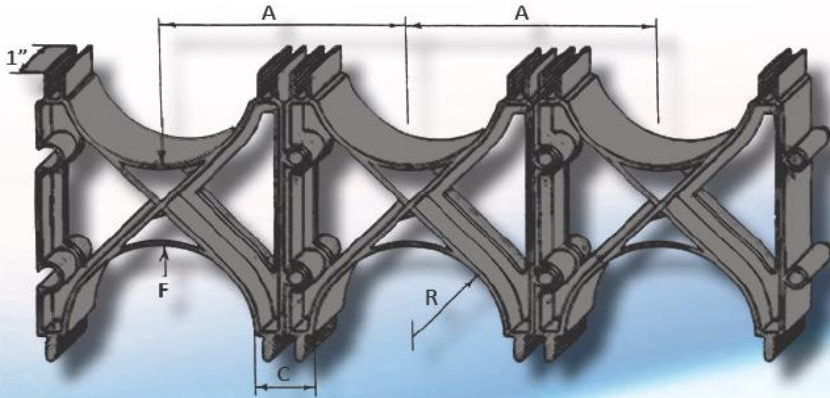
Duct Spacers, Base					
PART #	SIZE	UNIT	CASE QTY	CASE DIMENSIONS	CASE WEIGHT (LBS)
4020-15	2" x 1-1/2"	CS	450	23" x 23" x 19"	66
4020-20	2" x 2"	CS	325	23" x 23" x 19"	49
4020-30	2" x 3"	CS	300	23" x 23" x 19"	50
4030-15	3" x 1-1/2"	CS	250	23" x 23" x 19"	48
4030-20	3" x 2"	CS	225	23" x 23" x 19"	47
4030-30	3" x 3"	CS	190	23" x 23" x 19"	41
4040-10	4" x 1"	CS	250	23" x 23" x 19"	52
4040-15	4" x 1-1/2"	CS	180	23" x 23" x 19"	48
4040-20	4" x 2"	CS	180	23" x 23" x 19"	47
4040-30	4" x 3"	CS	150	23" x 23" x 19"	44
4050-15	5" x 1-1/2"	CS	140	23" x 23" x 19"	42
4050-20	5" x 2"	CS	100	23" x 23" x 19"	32
4050-30	5" x 3"	CS	90	23" x 23" x 19"	30
4060-15	6" x 1-1/2"	CS	100	23" x 23" x 19"	34
4060-20	6" x 2"	CS	100	23" x 23" x 19"	35
4060-30	6" x 3"	CS	90	23" x 23" x 19"	34
4080-20	8" x 2"	CS	65	23" x 23" x 19"	35
4080-30	8" x 3"	CS	60	23" x 23" x 19"	39

CONTACT US TO FIND A DISTRIBUTOR NEAR YOU!

Duct Spacers, Intermediate					
PART #	SIZE	UNIT	CASE QTY	CASE DIMENSIONS	CASE WEIGHT (LBS)
4120-15	2" x 1-1/2"	CS	500	23" x 23" x 19"	50
4120-20	2" x 2"	CS	325	23" x 23" x 19"	37
4120-30	2" x 3"	CS	275	23" x 23" x 19"	40
4130-15	3" x 1-1/2"	CS	250	23" x 23" x 19"	37
4130-20	3" x 2"	CS	225	23" x 23" x 19"	35
4130-30	3" x 3"	CS	160	23" x 23" x 19"	31
4140-10	4" x 1"	CS	250	23" x 23" x 19"	45
4140-15	4" x 1-1/2"	CS	180	23" x 23" x 19"	38
4140-20	4" x 2"	CS	160	23" x 23" x 19"	38
4140-30	4" x 3"	CS	125	23" x 23" x 19"	35
4150-15	5" x 1-1/2"	CS	140	23" x 23" x 19"	36
4150-20	5" x 2"	CS	100	23" x 23" x 19"	29
4150-30	5" x 3"	CS	90	23" x 23" x 19"	29
4160-15	6" x 1-1/2"	CS	100	23" x 23" x 19"	30
4160-20	6" x 2"	CS	100	23" x 23" x 19"	30
4160-30	6" x 3"	CS	75	23" x 23" x 19"	28
4180-20	8" x 2"	CS	70	23" x 23" x 19"	35
4180-30	8" x 3"	CS	45	23" x 23" x 19"	30

CALL FOR PRICE AND AVAILABILITY TODAY!

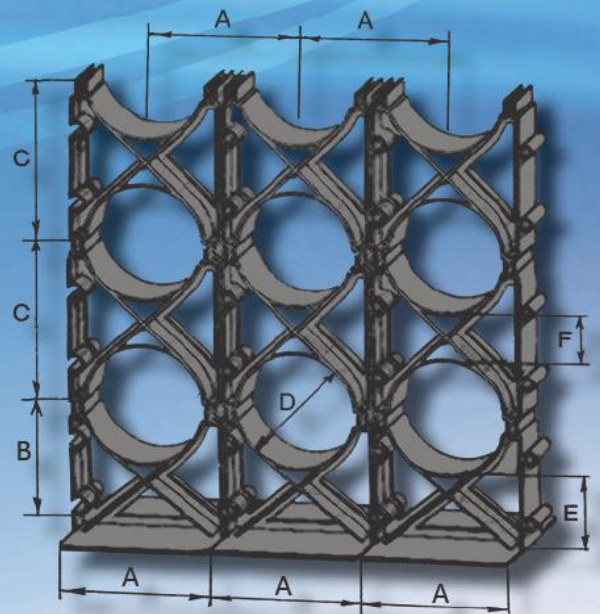
Hi-Impact Utility Duct Spacers



- Heavy Duty Strut Evenly Distributes Load
- Abundant Through-Holes for Maximum Fill Flow
- Snap-Loc System Holds & Secures Successive Duct Tiers
- Two-Piece Interlock Design Eliminates Banding
- Easy Slide Side Locks for Efficient Horizontal Construction
- Proven Base Plate Design Maintains Consistent Vertical Separation Between Trench Floor and First Duct Tier

Dimensions

Spacer Size	A	B	C	D	E	F	R
2" x 1 1/2"	3.975	4.250	3.985	2.500	3.000	1.500	1.250
2" x 2"	4.460	4.250	4.460	2.500	3.000	1.500	1.250
2" x 3"	5.465	4.255	5.460	2.500	3.000	3.000	1.250
3" x 1 1/2"	5.130	4.810	5.130	3.630	3.000	1.500	1.815
3" x 2"	5.630	4.810	5.630	3.630	3.000	2.000	1.815
3" x 3"	6.630	4.810	6.630	3.630	3.000	3.000	1.815
4" x 1"	5.630	4.060	5.630	4.630	3.000	1.000	2.315
4" x 1 1/2"	6.130	5.315	6.130	4.630	1.750	1.500	2.315
4" x 2"	6.610	5.315	6.630	4.630	3.000	2.000	2.315
4" x 3"	7.610	5.315	7.625	4.630	3.000	3.000	2.315
5" x 1 1/2"	7.325	5.900	7.325	5.690	3.000	1.500	2.845
5" x 2"	7.833	5.900	7.830	5.690	3.000	2.000	2.845
5" x 3"	8.690	5.900	8.690	5.690	3.000	3.000	2.845
6" x 1 1/2"	8.230	6.375	8.250	6.750	3.000	1.500	3.375
6" x 2"	8.730	6.375	8.730	6.750	3.000	2.000	3.375
6" x 3"	9.790	6.375	9.750	6.750	3.000	3.000	3.375
8" x 2"	10.800	7.250	10.580	8.680	3.000	2.06	4.340
8" x 3"	11.800	7.250	11.580	8.680	3.000	3.000	4.340



Available from **Professional Plastics, Inc.** www.professionalplastics.com

Toll-Free Phone (888) 995-7767

Product Manager: Rich Kietzke r.kietzke@proplas.com