

CLEAR-FLEX II[®]

P R O D U C T S



PROFESSIONAL PLASTICS, INC.
www.professionalplastics.com
(800) 966-7767 **sales@proplas.com**

always open...always closed

CLEAR-FLEX II®

CLEAR-FLEX II®



*the world standard for quality—
featuring improved edges for
optimum safety and superior clarity
assuring maximum efficiency.*

Energy Savings

Our Clear-Flex II® Strip Door saves you energy costs by reducing the amount of heated or cooled air lost through your unprotected opening. Superior design features, like rounded edges to prevent cutting and concaveness to promote tight sealing, assure maximum efficiency and safety. Our special fabrication process keeps the strips hanging straight without warping, even under temperature extremes.

Dust Control

The Clear-Flex II® Strip Door's sealing properties prevent the movement of dust, dirt and other contaminants from one area to another. This helps reduce overall clean-up costs in the plant.



Noise Reduction

ALECO strip doors and curtains provide a virtually unbreakable sound barrier. Tests by an independent testing laboratory have confirmed that Clear-Flex II® Strip Doors significantly reduce the transmission of sound. Researchers assigned our products a sound transmission rating of Class 13. (See page 6 for additional information.)

Special Safety Tips

Clear-Flex II® Strip Doors are supplied with special bright orange safety strips. These strips, when hung at the extreme right and left of the Clear-Flex II® Strip Door, clearly mark the throughways to help prevent accidents. The safety strips are provided at no extra charge.

Minimal Maintenance

Maintenance is minimal with the Clear-Flex II® Strip Door. An occasional application of our exclusive Vinyl Strip Cleaner is usually all that is required. Dilute as required for cleaning tasks, but generally three (3) parts water to one (1) part cleaner is sufficient. Apply by hand (protective gloves recommended) with a soft cloth or use in conventional steam cleaning equipment. (Material Safety Data Sheets are supplied with orders.)



Bulk Roll Stripping

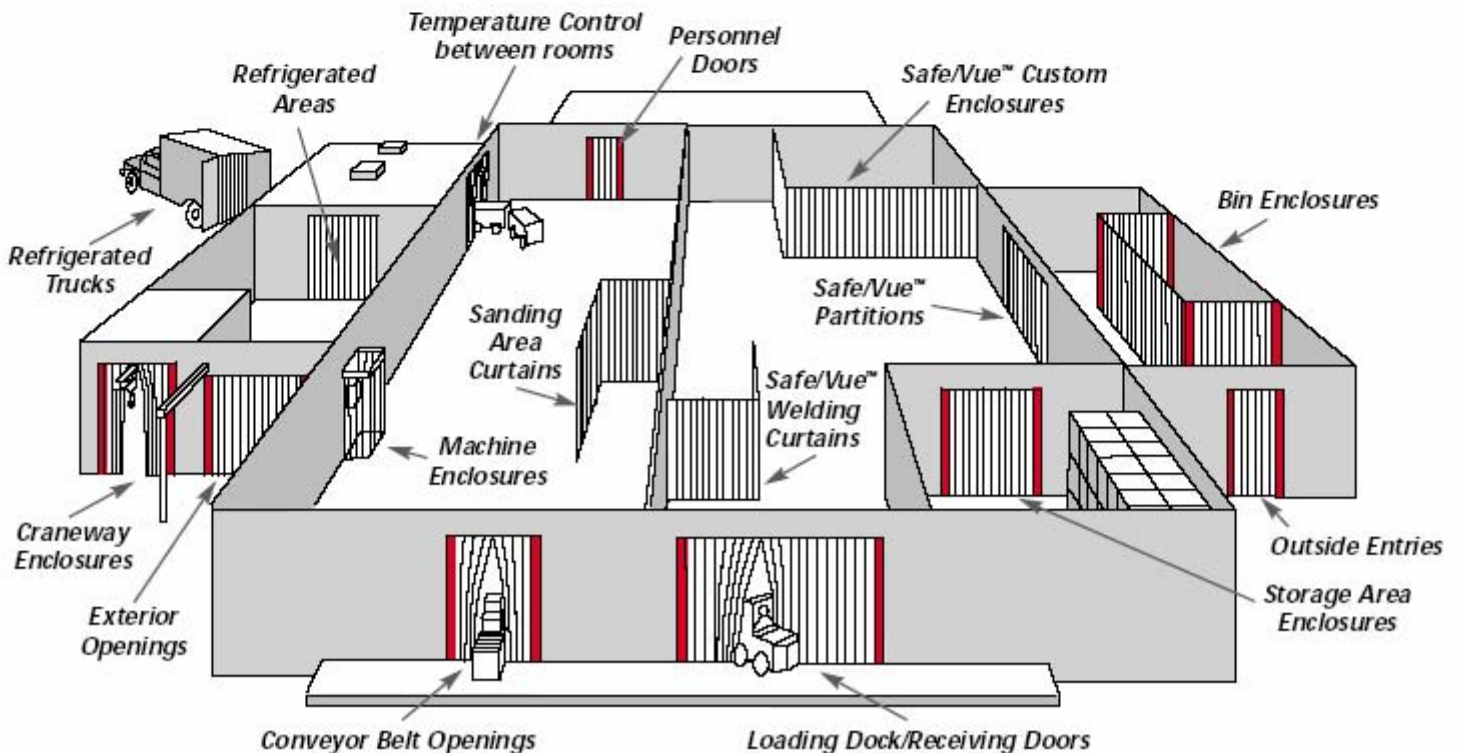
All sizes, types and formulations of PVC stripping material are available in bulk full rolls. User must supply hardware and cut and punch strips as needed. Roll length and weight vary with materials width and gauge. UPS shippable rolls are also available. (See pages 4 and 5 for additional product information.)



Replacement Strips

Individual replacement strips in all sizes, types and formulations (cut to length and pre-punched) are available. Mounting holes are $\frac{3}{8}$ " in diameter, $1\frac{1}{2}$ " from the top of the strip, on 2" centers. Our materials adapt to most strip door manufacturer's hardware. (See pages 4 and 5 for additional information.)

Take a Walk through Our Environmental Control Applications



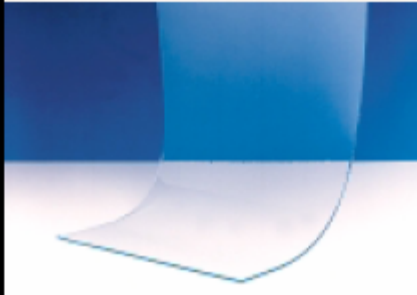


Standard

Formulated for indoor/outdoor applications, withstanding temperatures from -10°F to 150°F. Our most versatile material. Will not discolor in sun light.

Available in Smooth and Ribbed in the following sizes:

4" x.060 (Smooth Only)	12" x.080 (Smooth Only)	48" x.060 (Smooth Only)
6" x.060 (Smooth Only)	12" x.120	48" x.080 (Smooth Only)
8" x.080	16" x.160	48" x.120 (Smooth Only)
		48" x.160 (Smooth Only)

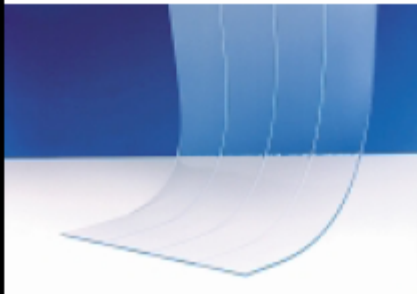


Low-Temp

For interior applications only. Recommended for cooler/freezer applications. Meets requirements for food service operations and USDA inspected facilities. Remains flexible in temperatures as low as -40 degrees F.

Available in Smooth and Ribbed in the following sizes:

4" x.060 (Smooth Only)	12" x.080 (Smooth Only)	48" x.080 (Smooth Only)
6" x.060 (Smooth Only)	12" x.120	
8" x.080	16" x.160	

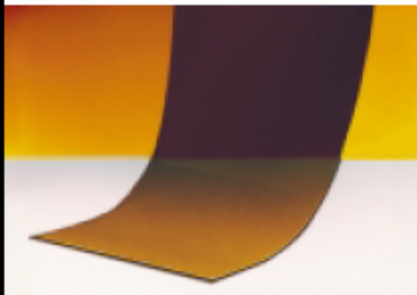


Low-Temp Reinforced

Utilizes nylon string extruded within the material to prevent elongation or shrinkage of material due to temperature variations. For interior applications only. Remains flexible in temperatures as low as -40°F. Best for cooler/freezer applications. Meets requirements for food service operations and USDA inspected facilities.

Available in the following sizes:

6" x.06	8" x.080	12" x.120	16" x.160
---------	----------	-----------	-----------



Dark Amber

Use for welding screen applications or as a partial sight barrier. See our Safe/Vue™ product brochure for more information.

Available in Smooth only in the following sizes:

8" x.080	12" x.080	12" x.120	48" x.080
----------	-----------	-----------	-----------

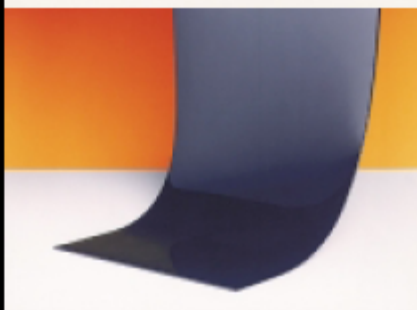


Aztec Orange

Best for welding screen applications or as a partial sight barrier. See our Safe/Vue™ product brochure for more information.

Available in Smooth only in the following sizes:

8" x.080	12" x.120	48" x.080
----------	-----------	-----------



Opaque

Black only. Use for conveyor opening curtains or as a total sight barrier between areas. Not recommended for areas where any motorized traffic might be present.

Available in Smooth only in the following sizes:

8" x.080	12" x.120	48" x.080
----------	-----------	-----------

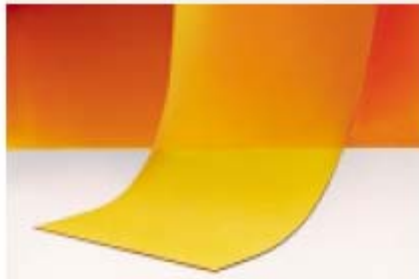


Anti-Static

Light green tint for identification. Reduces static electricity from objects or persons, dissipating it back into the atmosphere. For use in clean rooms, computer component assembly areas, etc. User should determine suitability of this product for it's intended use.

Available in Smooth only in the following sizes:

8" x .080 12" x .120



Ambertech'

Anti-Insect and Anti-Glare. Restricts most flying insects ability to detect attracting lights and heat. Also reduces blinding daytime glare. Same physical properties as standard.

Available in Smooth and Ribbed in the following sizes:

8" x .080 12" x .120 48" x .080 (Smooth Only)



Specialty Colors

Three transparent colors to liven up the work-place, designate entranceways, or just match corporate colors — Blue, Green, and Beige.

Available in Smooth or Ribbed in the following sizes:

8" x .080 12" x .120 48" x .080 (Smooth Only)



Ribbed

Offset ribbed material reduces scratching and abrasions from heavy use, lasts longer, and provides a stronger seal than smooth material.

Available in Standard, Low-Temp, Ambertech and Specialty Colors in the following sizes:

8" x .080 12" x .120 16" x .160 (Standard and Low-Temp only)

CLEAR-FLEX II® STRIPPING PHYSICAL PROPERTIES

PROPERTY	ASTM TEST METHOD	DIN TEST METHOD	UNIT	Formulation	
				STANDARD	LOW-TEMP
Hardness Shore A (15 sec.)	D-2240	53505		74	73
Tensile Strength @ break	D-638	53455	PSI	2610	2333
Elongation @ break	D-638	53455	%	302	317
Tear Resistance	D-1004	53515	lb / in.	324	272
Cold Temperature Resistance	D-746	53372	°F	-36°	-76°
Light Transmittance	Hunter	----	%	2.82	3.94
Weather Resistance @ 500 hrs.	QUV	53384	Delta E	4.31	36.75
Flammability	D-2863	----		19	19

Note: All PVC material is fire-resistant, self-extinguishing, polyvinyl chloride and is registered as such by the California State Fire Marshall's Office.

SPECIFICATIONS

Strip Size and Overlap Section Guide

- Clear-Flex II® Strip Doors can be used for almost any application. When choosing strip sizes and overlaps, consider the following points:
- 1-For taller doors, the strips should be heavier and wider
 - 2-Smaller width strips are easier to pass through than the wider strips
 - 3-When air movement is a problem, choose the wider strip with full overlap

WIDTH/ GAUGE	PERCENT OVERLAP	INTERIOR DOORS	EXTERIOR DOORS
4" x .060	Partial (50%)	4'	-
4" x .060	Full (100%)	4'	-
6" x .060	Partial (66%)	7'	-
6" x .060	Full (100%)	7'	-
8" x .080	Partial (50%)	10'	7'
8" x .080	Full (100%)	10'	7'
12" x .120	Partial (66%)	12'	8'
12" x .120	Full (100%)	14'	10'
16" x .160	Partial (75%)	16'	12'
16" x .160	Full (100%)	20'	18'

For Special Applications consult factory.

Light Transmission Properties

PERCENTAGE LIGHT TRANSMISSION (%)
NANOMETERS, (NM)

WAVELENGTH	PERCENT OF TRANSMISSION			
	Dark Amber		Aztec Orange	
	.060"	.120"	.080"	.120"
220 - 492 nm	<0.1	<0.1	<0.1	<0.1
492 - 560 nm	19.5	9.0	6.0	2.0
628 nm	24.5	13.0	83.0	78.0
696 nm	29.0	16.0	83.0	78.0
764 nm	32.5	19.0	89.0	86.0
832 nm	35.5	21.5	89.0	86.0
900 nm	37.5	24.0	90.0	88.0

THE ELECTROMAGNETIC SPECTRUM

WAVELENGTH	TYPE
100 to 280 nm	UV-C
280 to 315 nm	UV-B
315 to 400 nm	UV-A
400 to 770 nm	VISIBLE
770 to 15,000 nm	INFRARED

(results obtained by use of a Beckman DU-50 spectrophotometer)

Sound Transmission Noise Data*

(Sound Transmission Class 13)			
FREQ. TRANS. (HERTZ)	FREQ. LOSS (dB)	TRANS. (HERTZ)	LOSS (dB)
100	6	800	11
125	8	1000	1250
160	7	1250	14
200	8	1600	14
250	9	2000	15
315	10	2500	16
400	10	3150	16
500	10	4000	17
630	11	5000	17

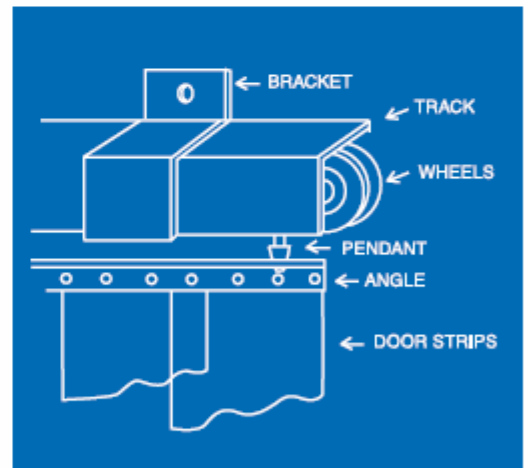
*For 12" x .120" Standard Smooth, full overlap in actual use rather than laboratory conditions. Results may vary depending on application and thickness of material.

MOUNTING OPTIONS



Offset Bracket Kit

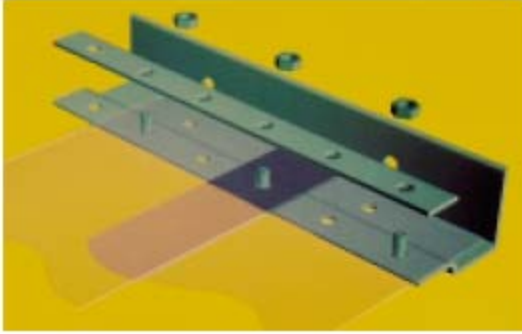
Enables Clear-Flex II® Strip Doors to be mounted on inside of buildings in conjunction with conventional overhead (roll-up) doors. Bracket projects 8" and is designed to be welded or bolted into place. Brackets must be positioned so as to not interfere with normal door operations. Horizontal cross member required, but supplied by others. Replacement strips (8" x .080 x 14" long) may be attached to bracket projection for 3-sided enclosure. Field trim to desired length.



Horizontal Slide Kit

Clear-Flex II® Strip Doors may be attached to a trolley system enabling the user to slide all strip material from the doorway, thus allowing unobstructed traffic. Allow sufficient wall space for curtain storage on either side of the door as needed. Side wall mounted only.

UNIVERSAL MOUNTING

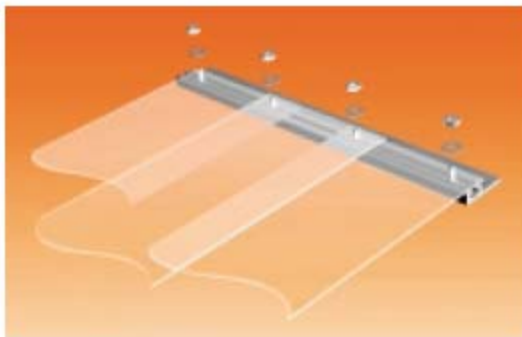


Universal Galvanized

Aleco's exclusive universal mounting system is available in your choice of aluminum or galvanized steel. All mounting holes are pre-drilled and all fasteners, except those needed to attach our mounting system to the existing building material, are supplied.

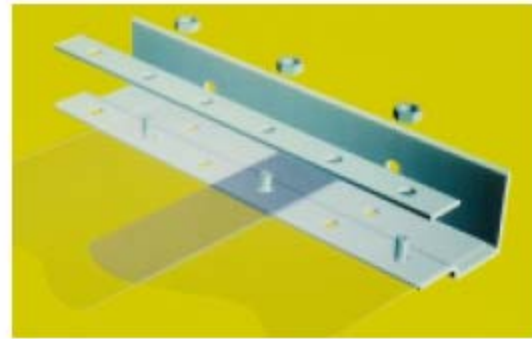
The actual finished Clear-Flex II® Strip Door size will be determined by the mounting hardware's position in relation to the opening. Our standard unit widths are measured in increments of 6" and height in even feet. Measure your opening and order the next larger standard unit based on these increments. Mounting hardware and strip length can be easily modified at your facility for custom applications. *EXAMPLE: Actual opening size measures 6'7" wide x 7'8" high; order a door 7' wide x 8' high.*

This innovative system, consisting of a specially designed angle and face plates, allows the Clear-Flex II® Strip Door to be mounted in either the lintel (inside frame, underheader) or side wall (header) position.



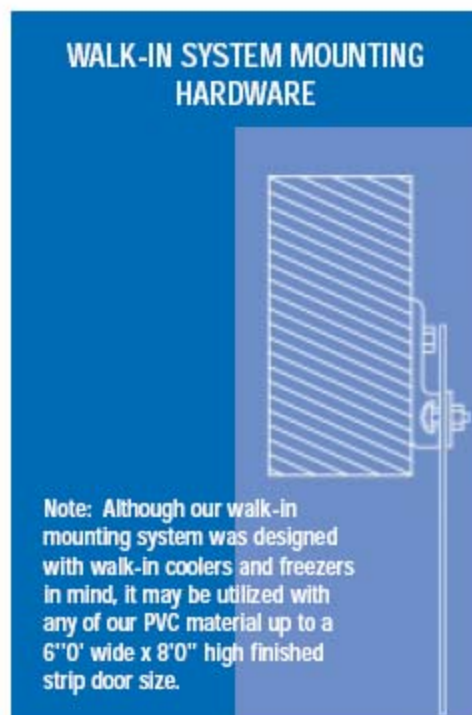
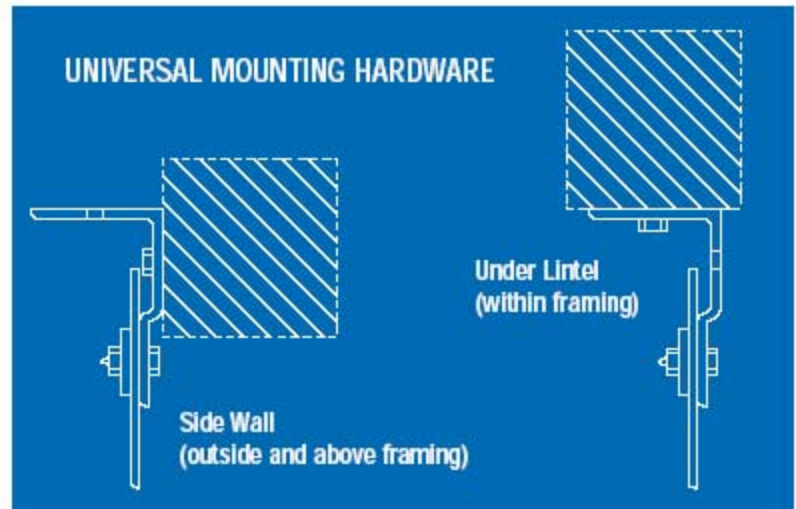
Walk-In System

Designed for easy installation, simply center the aluminum slotted extrusion bar just above the doorway opening on the inside wall of your walk-in with the lag screws provided. Slide the carriage bolts provided into the slot and begin hanging the pre-punched strips on either the extreme left or right side of the bar, securing the strips with the washers and nuts provided as you progress.



Universal Aluminum

Each PVC strip is secured between the vertical side of the angle and one foot face plate sections. Worn or damaged strips may be easily replaced by simply removing the necessary number of face plate sections, replacing the appropriate strips and reattaching the face plates.





For Vinyl Strip Curtains & Hardware, use Professional Plastics.

PROFESSIONAL PLASTICS, INC.

USA Toll-Free (800) 966-7767

www.professionalplastics.com

E-Mail: sales@proplas.com

13 Locations in the USA & Asia

**Locations in: California, Texas, Arizona, Washington,
Oregon, Utah, Colorado, Montana, New York & Singapore**

